

TECHNICAL MANUAL

**AVIATION UNIT AND INTERMEDIATE
MAINTENANCE MANUAL**

**ARMY MODEL
AH-1P (PROD)
AH-1E (ECAS)
AH-1F (MODERNIZED COBRA)
HELICOPTERS**

"Approved for public release; distribution is unlimited."

**HEADQUARTERS, DEPARTMENT OF THE ARMY
31 JULY 1990**

URGENT

TM 55-1520-236-23-5

C 4

CHANGE

NO. 4

HEADQUARTERS
DEPARTMENT OF THE ARMY
WASHINGTON, D.C., 31 October 1995

Aviation Unit and intermediate Maintenance Manual

ARMY MODEL
AH-1P (PROD)
AH-1E (ECAS)
AH-1F (MODERNIZED COBRA)
HELICOPTERS

DISTRIBUTION STATEMENT A: Approved for public release; distribution is unlimited

TM 55-1520-236-23-5, 31 July 1980, is changed as follows:

1. Remove and insert pages as indicated below. New or changed text material is indicated by a vertical bar in the margin. An illustration change is indicated by a miniature pointing hand.

Remove pages	Insert pages
i through vi	i through vi
vi.1/(vi.2 blank)	vi.1 and vi.2
vii and viii	vii and viii
viii.1/(viii.2 blank)	viii.1/(viii.2 blank)
ix and x	ix and x
x.1/(x.2 blank)	x.1(x.2 blank)
xi and xii	xi and xii
-----	xii.1/(xii.2 blank)
xvii and xviii	xvii and xviii
xviii.1/(xviii.2 blank)	xviii.1 and xviii.2
xix through xxi/(xxii blank)	xix through xxii

2. Retain this sheet in front of manual for reference purposes.

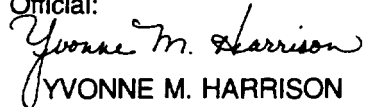
URGENT

TM 55-1520-236-23-5

C 4

By Order of the Secretary of the Army:

Official:



YVONNE M. HARRISON
Administrative Assistant to the
Secretary of the Army

00867.

DENNIS J. REIMER
General, United States Army
Chief of Staff

DISTRIBUTION:

To be distributed in accordance with DA Form 12-31-E, block no. 1149, requirements for
TM 55-1520-236-23-5.

CHANGE

HEADQUARTERS

DEPARTMENT OF THE ARMY

NO. 3

WASHINGTON, D.C., 15 December 1994

Aviation Unit and Intermediate
Maintenance Manual

ARMY MODEL
AH-1P (PROD)
AH-1E (ECAS)
AH-1F (MODERNIZED COBRA)
HELICOPTERS

DISTRIBUTION STATEMENT A: Approved for public release; distribution is unlimited.

TM 55-1520-236-23-5, 31 July 1990, is changed as follows:

1. Remove and insert pages as indicated below. New or changed text material is indicated by a vertical bar in the margin. An illustration change is indicated by a miniature pointing hand.

Remove pages

Insert pages

FO-213/(FO-214 blank)

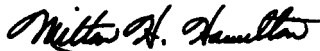
FO-215/(FO-216 blank)

2. Retain this sheet in front of manual for reference purposes.

By Order of the Secretary of the Army:

GORDON R. SULLIVAN
General, United States Army
Chief of Staff

Official:



MILTON H. HAMILTON
Administrative Assistant to the
Secretary of the Army

07668

DISTRIBUTION:

To be distributed in accordance with DA Form 12-31-E, block no. 1149, requirements for TM 55-1520-236-23-5.

CHANGE }
 NO. 2 }

HEADQUARTERS
 DEPARTMENT OF THE ARMY
 WASHINGTON, D.C., 30 April 1992

Aviation Unit and Intermediate
 Maintenance Manual

ARMY MODEL
 AH-1P (PROD)
 AH-1E (ECAS)
 AH-1F (MODERNIZED COBRA)
 HELICOPTERS

TM 55-1520-236-23-5, 31 July 1990, is changed as follows:

1. Remove and insert pages as indicated below. New or changed text material is indicated by a vertical bar in the margin. An illustration change is indicated by a miniature pointing hand.

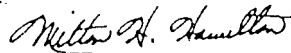
Remove pages	Insert pages
FO-187/FO-188	FO-187/FO-188

2. Retain this sheet in front of manual for reference purposes.

By Order of the Secretary of the Army:

GORDON R. SULLIVAN
 General, United States Army
 Chief of Staff

Official:



MILTON H. HAMILTON
 Administrative Assistant to the
 Secretary of the Army

01222

DISTRIBUTION:

To be distributed in accordance with DA Form 12-31-E, block no. 1149, AVUM and AVIM maintenance requirements for TM 55-1520-236-23-5.

CHANGE }
 NO. 1 }

HEADQUARTERS
 DEPARTMENT OF THE ARMY
 WASHINGTON, D.C., 1 April 1991

Aviation Unit and Intermediate
 Maintenance Manual

ARMY MODEL
 AH-1P (PROUD)
 AH-1E (ECAS)
 AH-1F (MODERNIZED COBRA)
 HELICOPTERS

TM 55-1520-236-23-5, 31 July 1990, is changed as follows:

1. Remove and insert pages as indicated below. New or changed text material is indicated by a vertical bar in the margin. An illustration change is indicated by a miniature pointing hand.

Remove pages	Insert pages
i through vi -----	i through vi vi.1/vi.2
vii and viii -----	vii and viii viii.1/viii.2
ix and x -----	ix and x x.1/x.2
xi through xvi ----- -----	xi through xvi xvi.1/xvi.2 xviii.1/xviii.2
xix through xxii -----	xix through xxi/xxii FO-211/FO-212

2. Retain this sheet in front of manual for reference purposes.

By Order of the Secretary of the Army:

CARL E. VUONO
General, United States Army
Chief of Staff

Official:

THOMAS F. SIKORA
Brigadier General, United States Army
The Adjutant General

DISTRIBUTION:

To be distributed in accordance with DA Form 12-31E, block no. 1149, AVUM and AVIM maintenance requirements for TM 55-1520-236-23-5.

LIST OF TABLES (CON'T)

NUMBER	TITLE	PAGE
9-11	Troubleshooting - Ignition System.....	9-75
9-12	Troubleshooting- Cockpit Lights.....	9-77
9-12.1	Dimrner Control Input/Output Voltages	9-78.1
9-13	Troubleshooting- Console,Engine, Flight, and Tactical Instrument Light	9-79
9-14	Pilots Caution Panel Lights	9-83
9-15	Gunners Caution Panel Lights	9-83
9-15.1	Troubleshooting Pilots Caution Panel	9-88.2
9-15.2	Pilots Caution Panel Wiring Chart	9-88.21
9-15.3	Gunners Caution Panel Fault Inputs	9-88.27
9-15.4	Troubleshooting - Gunners Caution Panel	9-88.28
9-15.5	Gunners Caution Panel Wiring Chart	9-88.36
9-16	Troubleshooting -RPM Limit Warning System	9-91
8-16.1	Troubleshooting- Skid Landing Light System	9-94.1
9-16.2	Troubleshooting - ODDS	9-94.3
9-17	Troubleshooting -Position Lights System	9-95
9-18	Troubleshooting - Anticollision Light	9-98
9-19	Troubleshooting -Searchlight System	9-100
9-20	Troubleshooting -Transmission Oil Level Light	9-102
9-21	Troubleshooting -Engine De-Icing circuitry.	9-103
9-22	Troubleshooting - Engine Oil Bypass valve Circuitry	9-105
9-23	Troubleshooting- Fuel ValveCircuitry	9-106
9-24	Troubleshooting - Fuel Boost Pumps Circuitry	9-107
9-25	Troubleshooting -Governor Control Circuitry	9-108
9-26	Troubleshooting -Idle Stop Solenoid System Circuitry	9-110
9-26.1	E M Troubleshooting Centrisep Particle Separator Circuitry (After Incorporation of MWO (55-1520-236-50-12).	9-110.1
9-27	Troubleshooting- Force Trim System Circuitry	9-111
9-28	Troubleshooting -Hydraulic Control System Circuitry	9-113
9-29	Troubleshooting -Environmental Control System Circuitry	9-115
9-30	Troubleshooting- Pitot Heating System Circuitry	9-117
9-31	Troubleshooting - TOW Blower Cooling System ..	9-118
9-32	Troubleshooting - Radio Blower Cooling System .	9-121
9-32.1	P Relay Matrix, Pilot in Control Mode	9-122.1
9-32.2	P Relay Matrix, Pilot in Fixed Forward Mode	9-122.3
9-32.3	P Relay Matrix, Gunner in Control Mode - HSS Controlling Turret	9-122.5
942.4	P Relay Matrix, Gunner in Control Mode -TSU Controlling Turret	9-122.7
9-32.5	P Relay Matrix, Gunner Controlling TOW and Pilot Controlling Turret and Wing Stores Mode	9-122.9
9-32.6	P Relay Matrix, TSU Acquisition of Target with Gunner or Pilot HSS Mode	9-122.11
9-32.7	P Relay Matrix, Pilot Override Mode	9-122.13
9-32.8	Relay Matix, Gunner Jettison Mode	9-122.15

RADIATION HAZARD
Thorium Fluoride

Some of the FLIR optics inside the C-NITE telescopic sight unit (TSU) have a coating that is slightly radioactive.

Accidental inhaling or swallowing of this material is hazardous to health.
If the C-NITE TSU has been ruptured (by crash damage, etc.), dispose of broken optics in accordance with AR 385-11 and TB 750-237.

DANGEROUS CHEMICALS

Exposure to high concentrations of fire extinguishing agents can cause severe irritation of eyes and nose.

Corrosive Battery Electrolyte (Potassium Hydroxide). Wear rubber gloves, apron, and face shield when handling leaking batteries. If potassium hydroxide is spilled on clothing, or other material, wash immediately with clean water. If spilled on personnel, immediately start flushing the affected area with clean water. Continue washing until medical assistance arrives.

Use solvents or chemicals in a well ventilated area.
Do not inhale vapors or allow to come in contact with skin or eyes.
Observe proper fire prevention rules.

LASER LIGHT

The laser beam is dangerous and can cause blindness if it enters the eye either directly or reflected from a shiny surface. Crewmen shall wear approved laser protective visors whenever in controlled area when laser rangefinder or laser target designators are being used. Laser shall be used only in controlled areas by qualified personnel.

NOISE LEVEL

Sound pressure levels in the helicopter during some operating conditions exceed the Surgeon Generals hearing conservation criteria as defined in TB MED 251.
Hearing, protection devices, such as the aviator helmet or ear plugs, are required to be worn by all personnel in and around the helicopter during its operation.

ASBESTOS FIBERS

Avoid creating dust. Breathing asbestos dust may cause serious bodily harm.

ARMAMENT

When working on, or near an armed helicopter, take all possible precautions to avoid accidental firing of armament.
Personnel shall not occupy possible firing pattern in front of or up to 20 feet behind rocket pods.

Munitions shall be handled by authorized personnel only.
All weapons shall be dry-fired. Dummy ammunition shall not be used.

JETTISON

All ground safety pins must be removed before flight. Failure to do so will prevent emergency jettison of stores.

Jettison circuit may be activated with BAT switch OFF and pilot WING STORES JTSN circuit breaker OPEN. For positive deactivation of jettison circuit, open both the PLT JTSN circuit breaker and the GNR JTSN circuit breaker located in the pilot's side console. Serious injury can result from accidental ground jettison.

SANDING DUST

Sanding on reinforced laminated glass produces fine dust that may cause skin irritations. Observed necessary protective measures.

TRANSMISSION LEVELING

Do not attempt to level transmission with "Jacks Only" Hoist must be used in conjunction with jacks while lifting transmission.

EXTERNAL STORES

Prior to any helicopter maintenance functions that require external stores be removed, JETTISON cartridge shall be removed.

Remove jettison cartridges from pylon stores ejection device prior to placing helicopter in a hangar, to prevent injury to personnel and damage to equipment.

Exception: Removal is not necessary when helicopter is to be placed in hangar for short-term, providing both PLT JTSN and GNR JETSJN circuit breakers in the pilot's side console are OPEN, and warning signs indicate that helicopter has an armed jettison system.

CANOPY REMOVAL SYSTEM

Ground safety pins must be installed in pilot and gunner arming firing handles of canopy removal system whenever the helicopter is on the ground. Pins should be installed by crew.

CLEANING HYDRAULIC COMPONENTS

The use of any alcohol in cleaning components which contact hydraulic fluids is prohibited. Formation of a polymeric residue can result, which could impair mechanical operation of the component.

HANDLING HYDRAULIC FLUID (MIL-H-83282)

When handling hydraulic fluid (MIL-H-83282), Table 1-3, Item 61, observe the following:

–Prolonged contact with liquid or mist can irritate eyes and skin.

–After any prolonged contact with skin, immediately wash contacted area with soap and water. If liquid contacts eyes, flush them immediately with clear water.

–If liquid is swallowed, do not induce vomiting; get immediate medical attention.

–Wear rubber gloves when handling liquid. If prolonged contact with mist is likely, wear an appropriate respirator.

–When fluid is decomposed by heating, toxic gases are released.

EPOXY BASED ADHESIVE

Epoxy based adhesive, P/N EA934, contains an asbestos filler which could be inhaled or ingested during grinding, cutting, or sanding operations on cured epoxy material.

TOOLS

Use only chrome plated steel or unplated steel tools for disassembly or reassembly procedures described in this manual.

Use of cadmium or zinc plated tools is not permitted.

GROUNDING

All aircraft parked outside will be grounded and bonded, in accordance with FM 1-500, to the aerospace ground equipment while servicing, i.e., fueling or defueling, arming (ammunition or explosives), oxygen, hydraulic fluids or any flammable liquids. Grounding is not necessary for aircraft parked outside unless one of the above is being accomplished.

INSPECTION OF REMOVED COMPONENTS

When components are being removed from an aircraft, all inspections required by the next phase maintenance inspection must be accomplished prior to either immediate re-use or storage. Upon installation, the component will be inspected in accordance with the current phase (either that phase the receiving aircraft is in or if in between phase, the last phase performed). This will ensure that a re-used component will not overfly any PM inspections, and that it will be properly interfaced with the receiving aircraft phase sequence.

TECHNICAL MANUAL

HEADQUARTERS

NO. 55-1520-236-23-5

DEPARTMENT OF THE ARMY
WASHINGTON, D.C., 31 July 1990

Aviation Unit and Intermediate
Maintenance Manual

ARMY MODEL

AH-1P (PROD)

AH-1E (ECAS)

AH-1F (MODERNIZED COBRA)

HELICOPTERS

NOTE

This manual is printed in five volumes, as follows:

TM 55-1520-236-23-1, consisting of Table of Contents, Preface Chapters 1 through 6.

TM 55-1520-236-23-2, consisting of Table of Contents. Chapters 7 through 17. Appendix A through C.

TM 55-1520-236-23-3, consisting of Table of Contents, Appendix D through G, and Index.

TM 55-1520-236-23-4, consisting of Table of Contents, FO-1 thru FO-142.

TM 55-1520-236-23-5, consisting of Table of Contents, FO-143 (Sheet 1 of 28 through Sheet 28 of 28) and FO-144 (Sheet 1 of 6 through Sheet 6 of 6).

The Preface, Appendices and Index are applicable to all volumes.

TECHNICAL MANUAL

NO. 55-1520-236-23

HEADQUARTERS
DEPARTMENT OF THE ARMY
WASHINGTON, D.C., 31 July 1990

AVIATION UNIT AND INTERMEDIATE MAINTENANCE MANUAL
ARMY MODEL

AH-1P (PROD)
AH-1E (ECAS)
AH-1F (MODERNIZED COBRA)
HELICOPTERS

REPORTING ERRORS AND RECOMMENDING IMPROVEMENTS

You can help improve this manual. If you find any mistakes or if you know of a way to improve these procedures, please let us know. Mail your letter or DA Form 2028 (Recommended Changes to Publications and Blank Forms), or DA Form 2028-2 located in the back of this manual directly to: Commander, US Army Aviation and Troop Command, ATTN: AMSAT-I-MP, 4300 Goodfellow Blvd., St. Louis, MO 63120-1798. A reply will be furnished directly to you.

DISTRIBUTION STATEMENT A: Approved for public release; distribution is unlimited

TABLE OF CONTENTS

		PARAGRAPH	PAGE
VOLUME 1			
CHAPTER 1	AIRCRAFT GENERAL		
Section I	Servicing	1-1	1-1
Section II	Lubrication	1-28	1-41
Section III	Handling, jacking, mooring, hoisting, and sling loading	1-30	1-45
Section IV	Inspection requirements	1-55	1-58
Section V	Overhaul and retirement schedule	1-58	1-87
Section VI	Flight safety parts	1-59	1-89
CHAPTER 2	AIRFRAME		
Section I	Structural repair	2-1	2-1
Section II	Fuselage	2-41	2-113
Section III	Tailboom	2-281	2-229
Section IV	Wing	2-335	2-245
Section V	Deleted	2-352	2-258
CHAPTER 3	LANDING GEAR		
Section I	Landing Gear	3-1	3-1
Section II	Skids/Struts (Not Applicable)		3-29
section III	Floats (Not Applicable)		3-29
Section IV	Skis (Not Applicable)		3-29
Section V	Brakes (Not Applicable)		3-29
CHAPTER 4	POWER PLANT		
Section I	Power plant	4-1	4-1
Section II	Cooling system (Not Applicable)		4-17

		PARAGRAPH	PAGE
Section III	Air induction system	4-24	4-18
Section IV	Exhaust system	4-39	4-36
Section V	Oil system	4-59	4-50.2
Section VI	Ignition system (Not Applicable)		4-69
Section VII	Power lever controls	4-98	4-69
Section VIII	Quick change assembly	4-114	4-79
CHAPTER 5	ROTORS		
Section I	Main rotor system	5-3	5-1
Section II	Main rotor hub and blades	5-8	5-2.2
Section III	Main rotor controls	5-47	5-103
Section IV	Tail rotor system	5-72	5-138
Section V	Tail rotor hub and blade assembly	5-79	5-141
Section VI	Tail rotor hub and controls	5-89	5-148
Section VII	Tail rotor blades	5-107	5-170
Section VIII	Tracking and balancing procedures	5-114	5-181
CHAPTER 6	DRIVE TRAIN SYSTEM		
Section I	Drive train	6-1	6-1
Section II	Main driveshaft	6-5	6-7
Section III	Main transmission	6-20	6-24
Section IV	Tail rotor driveshaft	6-75	6-75
Section V	Intermediate gearbox	6-96	6-86
Section VI	Tail rotor gearbox	6-113	6-103
Section VII	Transmission oil system	6-129	6-120
VOLUME II			
CHAPTER 7	HYDRAULIC AND PNEUMATIC SYSTEMS		7-1
CHAPTER 8	INSTRUMENTS SYSTEM		
Section I	Instrument maintenance	8-1	8-1
Section II	Engine instruments	8-10	8-7
Section III	Flight instruments	8-114	8-25
Section IV	Navigation instruments	8-185	8-36
Section V	Miscellaneous instruments	8-198	8-38
Section VI	Instrument panels	8-285	8-52
CHAPTER 9	ELECTRICAL SYSTEMS		
Section I	Electrical systems maintenance	9-1	9-1
Section II	Direct current power distribution system	9-37	9-27
Section III	Alternating current power distribution system	9-119	9-56
Section IV	Starting system	9-238	9-73
Section V	Ignition system	9-246	9-75
Section VI	Lighting provisions	9-254	9-76
Section VII	Miscellaneous equipment	9-340	9-102
Section VIII	P Armament systems circuitry	9-412	9-122

	PARAGRAPH	PAGE
Section IX E Armament systems circuitry	9-442	9-154
Section X M Armament and fire control systems circuitry	9-496	9-185
CHAPTER 10 FUEL SYSTEMS		
Section I Fuel systems	10-1	10-1
Section II Fuel cells	10-73	10-17
CHAPTER 11 FLIGHT CONTROLS		
Section I Flight contols	11-1	11-1
Section II Flight controls components	11-145	11-81
CHAPTER 12 UTILITY SYSTEMS		
Section I Fire detection system	12-1	12-1
Section II Rain removal system	12-9	12-4
Section III Defroster system	12-10	12-4
Section IV Low G Warning System	12-11	12-5
CHAPTER 13 ENVIRONMENTAL CONTROL SYSTEM		
Section I Heating systems	13-1	13-1
Section II Air cooling systems	13-125	13-37
CHAPTER 14 HOIST AND WINCHES (Not Applicable)	14-1	14-1
CHAPTER 15 AUXILIARY POWER PLANT (Not Applicable)	15-1	15-1
CHAPTER 16 MISSION EQUIPMENT	16-1	16-1
CHAPTER 17 EMERGENCY EQUIPMENT	17-1	17-1
APPENDIX A REFERENCES		A-1
APPENDIX B MAINTENANCE ALLOCATION CHART		B-1
APPENDIX C AIRCRAFT INVENTORY MASTER GUIDE		C-1
VOLUME III		
APPENDIX D ILLUSTRATED FIELD MANUFACTURE LIST		D-1
APPENDIX E STORAGE OF AIRCRAFT		
Section I General information	E-1	E-1
Section II Flyable storage	E-6	E-2
Section III Short term storage	E-10	E-4
Section IV Intermediate storage	E-14	E-11
APPENDIX F WIRING DIAGRAMS		F-1
APPENDIX G WIRE LISTS		G-1
INDEX		Index-1
VOLUME IV		
FOLDOUTS		FO-1
VOLUME V		
FOLDOUTS		FO-143

LIST OF ILLUSTRATIONS

NUMBER	TITLE	PAGE
1-1	Servicing Points Diagram	1-2
1-1.1	Receiver and Cap Assembly	1-2.3
1-2	Deleted	
1-3	Deleted	
1-4	Deleted	
1-5	Lubrication Chart	1-42
1-6	Ground Handling Diagram	1-46
1-7	Work Aid for Towing Ground Handling Gear	1-48
1-8	Jacking and Mooring Fittings	1-50
1-9	Covers Diagram	1-53
1-9.1	AH-1 Paved Surface Mooring Configuration	1-54.2
1-10	Mooring Diagram	1-55
1-11	Maintenance Hoist, T101520	1-57
1-12	Inspection Area Diagram (Typical)	1-59
2-1	Fuselage Components and Tailboom	2-2.1
2-2	Structural Panels	2-4
2-3	Non-Structural Access Panels, Doors, and Fairings	2-8
2-4	Principal Dimensions - Airframe	2-14
2-5	Reference Lines - Airframe	2-16
2-6	Cleaning Chart	2-23
2-7	Type A - Damage, Body Panel Repairs	2-36
2-8	Type B - Damage, Body Panel Repairs	2-37
2-9	Type C - Damage, Body Panel Repairs	2-38
2-10	Type D - Damage, Body Panel Repairs	2-40
2-11	Primary Structural Caps - Left Side	2-42
2-12	Primary Structural Caps - Right Side	2-43
2-13	Pilot and Gunner Floor Panels	2-44
2-14	Bulkhead at Station 93.0	2-45
2-15	Bulkhead at Station 148.5 and 171.61	2-46
2-15.1	Ammo Floor Scuff Doubler Installation	2-46.1
2-16	Bulkhead at Stations 186.25 and 213.94	2-47
2-17	Bulkhead at Stations 250.0 and 268.5	2-48
2-18	R&L Main Beam Panels at Station 148.5 to 186.25	2-49
2-19	R&L Main Beam Panels at Station 213.94 to 250.0	2-50
2-20	Panel at Forward Fuel Cell at R.S. and Gunner Floor	2-51
2-21	R&L Beam Panels at Station 250 to B.S. 41.32	2-52
2-22	Ammo Floor, Support Panel and Forward Fuel Cell Panel at Station 213.9	2-53
2-23	Forward Fuel Cell Floor - Lower Panel Station 86 to 213	2-54
2-24	Lower Aft Fuel Cell Panel at Station 250 to B.S. 41.32	2-55
2-25	Engine Deck Installation at Station 213.94 to 298.75	2-56
2-26	Forward Fuel Cell Panels - Main Beam at Station 186 to 214	2-57
2-27	Edge Repair for Honeycomb Panels with Glass Skin Opposite Titanium	2-58
2-28	Edge Repair for Honeycomb Panels with Aluminum Alloy with Glass Edging	2-60
2-29	Edge Repair for Honeycomb Panels with Glass Finish at Channel	2-61
2-30	Typical Rivet Pattern for Channel Section Repair	2-62
2-31	Potted - Injection - Grommet Type Fasteners	2-64
2-31.1	HMPP Cowling Nut Plate Replacement	2-66.1
2-31.2	Stringer Repair	2-66.2
2-32	Longeron Damage Limits	2-82
2-33	Typical Tailboom Bulkhead Damage Limits	2-85
2-34	Tail Rotor Driveshaft Covers	2-87
2-35	Driveshaft Cover Hinges and Angles Damage	2-88
2-36	Damage Limits - Tailboom Attach Fitting	2-89
2-37	Damage Limits - Bearing Hanger Support Fitting	2-90

LIST OF ILLUSTRATIONS (CON'T)

NUMBER	TITLE	PAGE
2-38	Damage Limits - Intermediate Gearbox Support Installation	2-91
2-39	Damage Limits - Tail Rotor Drive Support Fitting	2-92
2-40	Vertical Fin Honeycomb Panels Damage	2-96
2-41	Edge Repair on Vertical Fin	2-100
2-42	Tailboom Longerons	2-101
2-43	Longeron Repair	2-102
2-43.1	Longeron Material Chart	2-104
2-44	Damage Skin, Frame, and Bulkhead Repair	2-104.1
2-45	Repair - Damaged Ribs - Bulkhead	2-105
2-46	Repair - Bulkhead Flanged Member	2-106
2-46.1	Tailboom Structural Material	2-106.1
2-47	Repair - Bulkhead "T" Cap - Extensive Damage	2-107
2-48	Injection Tape Fastener (Insert) in Vertical Fin Panel	2-111
2-48.1	Vertical Fin Ballast Weight Panel	2-112.2
2-49	Sheet Metal Panels and Skin	2-115
2-50	P I Fairing - Cowling for Pylon, Transmission, Engine, and Tailpipe	2-123
2-51	VI Fairing and Cowling - Pylon, Transmission, Engine and IR Suppressor	2-126
2-52	IR Suppressor Cowling Installation	2-132
2-53	Firewalls and Driveshaft Fireshield Installation	2-139
2-54	Forward Engine Firewall Assembly (Prior to Incorporation of MWO 55-1520-236-50-12)	2-142
2-54.1	I VI Forward Engine Firewall Assembly (After Incorporation of MWO 55-1520-236-50-12)	2-144.3
2-55	Aft Engine Firewall and Cowl Support	2-146
2-56	Tail Rotor Driveshaft Fireshield Assembly	2-152
2-57	Engine Air Induction Baffle Installation (Prior to Incorporation of MWO 55-1520-236-50-12)	2-154
2-57.1	I VI Centrisep Particle Separator Engine Air Induction Baffle Installation (After Incorporation of MWO 55-1520-236-50-12)	2-154.1
2-58	Engine Air Induction Baffle Assembly (Prior to Incorporation of MWO 55-1520-236-50-12)	2-155
2-58.1	I VI Centrisep Particle Separator Engine Air Induction Baffle Assembly (After Incorporation of MWO 55-1520-236-50-12)	2-158.1
2-59	Pilot Door - Installation	2-161
2-60	Gunner Door - Installation	2-164
2-61	Pilot Door - Assembly	2-167
2-62	Gunner Door - Assembly	2-169
2-63	Gunner Door Latch Assembly	2-170
2-64	Canopy Window and Windshield - Installation	2-176
2-65	Canopy Frame - Installation	2-178
2-66	Pilot Seat - Installation	2-179
2-67	Gunner Seat - Installation	2-180
2-68	Pilot Seat - Assembly	2-183
2-69	Engine Armor - Installation	2-188
2-70	Soundproofing Blanket - Installation	2-190.1
2-70.1	Wire Strike Protection System	2-190.2
2-70.2	Damage Limits - Wire Strike Deflector	2-191
2-71	Engine Mount Installation	2-192
2-72	Damage Limits - Aft Engine Mount Assembly (Tripod)	2-196
2-73	Damage Limits - Fittings for Aft Engine Mount (Tripod)	2-199
2-74	Aft Engine Mount (Tripod) Assembly	2-200
2-75	Damage Limits - Engine Mount Pillow Blocks (Left and Right)	2-202
2-76	Diagonal Brace Tube - Installation	2-204
2-77	Pylon Support - Installation	2-206
2-77.1	Pylon Mount Bolt Inspection Criteria	2-206.1

LIST OF ILLUSTRATIONS (CON'T)

NUMBER	TITLE	PAGE
2-78	Access Hole for Damper to Damper Support Fitting Mount Bolts	2-209
2-79	Fifth Mount and Fifth Mount Support Fitting – Installation	2-210
2-79.1	Bushing and Bearing Tool Kit LT-40	2-212.2
2-79.2	Fifth Mount Assembly	2-212.3
2-79.3	Fifth Mount Bushing and Bearing Removal	2-212.3
2-79.4	Fifth Mount Bushing and Bearing Installation	2-212.4
2-79.5	Fifth Mount Bush Staking	2-212.4
2-80	Damper – Internal Yielding Inspection	2-214
2-81	Transmission Damper – Assembly	2-215
2-82	Damper Seal – Installation Tool	2-216
2-83	Damper Barrel Shim – Replacement	2-217
2-84	Damper Upper Shim – Replacement	2-218
2-85	Damper Lower Shim – Replacement	2-219
2-86	Hydraulic Fitting Supports-installation	2-221
2-87	Damper Support fitting -Elongated Holes	2-223
2-88	Damage Limits- FifthMountSupporti Fitting	2-224
2-89	Tow, Jack, and Mooring Fitting..	2-226
2-90	Aft Section Assembly	2-230
2-91	Tail Boom Support Stand -Workaid	2-231
2-92	Tailboom installation	2-232
2-92.1	Tailboom installation	2-232.1
2-93	Tailboom and Elevator Skins	2-234
2-94	Tailboom and Synchronized Elevator - Structure	2-237
2-95	Tailskid - installation	2-240
2-96	AftBakst-installation	2-242
2-97	Synchronized Elevators-installation	2-244
2-98	WhgAssembly-installation	2-246
2-99	Wing Bushings-limits Chart	2-250
2-100	Wing Skin Repair (External Hole)..	2-251
2-101	WingSkin Repair(ExternalC rack)	2-252
2-102	Wing Skin Repair (Close toFrame, Spar, or Ribs)	2-253
2-103	WingSkins,Fairings,C overs, Doors	2-254
2-104	WingFairing Repair (Leading-Trailing Edge)	2-256
2-105	Deleted	
3 - 1	Landing Gear and Support installation	3-2
3-1.1	Crosstube Shim Fabrication	3-4.1
3 - 2	Crosstube -Deflection inspection	3-5
3-3	Damage Limits- Crosstubes	3-6
3-4	Skid Tube - Repairs	3-9
3-5	Crosstube Fairing Assembly	3-12
3-6	Landing Gear Support Spacer installation	3-15

LIST OF ILLUSTRATIONS (CON'T)

NUMBER	TITLE	PAGE
3-7	Ground Handling Gear-Assembly	3-17
3-8	Ground Handling Gear Pump, P/N BU0953B- Assembly	3-19
3-9	Ground Handling Gear Pump, P/N HP9902-41-10	3-21
3-10	Work Aid - Packing Nut Tool Removal/Installation - Fabrication Instructions	3-23
3-11	Ground Handling Wheels -Adjustment Dimensions	3-25
4-1	Power Plant installation -Right Side...	4-2
4-2	Power Plant installation -Left Side...	4-2-2
4-3	Engine Vibration Test Equipment Cabling Tiedown	4-4
4-3.1	Deleted	
4-4	Engine Installation	4-7
4-5	Engine Mount Fittings (Trunnions) Installation	4-13
4-6	Damage Limits - Aft Engine Mount Fitting (Trunnions) and Bearings	4-16
4-7	Particle Separator and FOD Screen Installation (Prior to Incorporation of MWO 55-1520-236-50-12)	4-19
4-7.1	E M Centrisep Particle Separator Installation (After Incorporation of MWO 55-1520-236-50-12)	4-22.2
4-8	Particle Separator-Air Flow Diagram (Prior to Incorporation of MWO 55-1520-236-12)	4-23
4-8.1	E M Centrisep Particle Separator Air Flow Diagram (After Incorporation of MWO 55-1520-236-50-12)	4-24.1
4-9	Particle Separator and FOD Screen Assemblies (Prior to Incorporation of MWO 55-1520-236-50-12)	4-26
4-10	inlet Vane Reinforcement Doubler-Fabrication	4-30
4-10.1	E M Centrisep Particle Separator Repair/Replacement (After Incorporation of MWO 55-1520-236-50-12)	4-30.1
4-11	FOD (Foreign Object Damage) Screen Installation	4-34
4-12	P E Exhaust System Components	4-37
4-13	Engine Tailpipe Repair	4-38
4-14	Engine Deck and Firewall Sealing	4-40
4-15	P E Exhaust System Components with IR Suppression Installation	4-41
4-15.1	Hot Metal Plus Plume Suppressor	4-44.10
4-15.2	Outer Body Half- Section	4-44.11
4-16	Repair Procedures - Infrared Suppression System	4-45
4-17	M Exhaust System Components with IR Suppression - Installation	4-47
4-17.1	M Suppressor Major Structural Elements	4-50
4-18	Engine Oil System installation	4-50.1
4-18.1	ODDS Oil Separator and Oil Filter Installation (MWO 55-1520-236-50-30)	4-50.3
4-19	Engine Oil System Schematic	4-54.3
4-19.1	Oil Separator (Lubriclone) Assembly	4-54.4
4-19.2	Delete	
4-19.3	Engine External Oil Filter	4-54.7
4-20	Oil Tank Installation	4-57

LIST OF ILLUSTRATIONS (CON'T)

NUMBER	TITLE	PAGE
4-21	Engine Oil Cooler Installation	4-60
4-22	Oil Cooler Cleaning Schematic	4-61
4-23	Engine Oil Cooler Turbine Fan	4-64
4-24	Oil Cooler Turbine Fan Assembly	4-66
4-25	Power Lever Control System Installation	4-70
4-26	Engine Idle Stop Installation	4-73
4-27	Droop Compensator Controls Installation	4-75
4-28	Rigging Procedures - Droop Compensator Controls	4-79
4-29	Engine Shipping Container	4-81
4-30	Ignition Unit	4-83
4-31	Aft Engine Trunnion Installation	4-84
4-32	Trunnion, Cambox, and Linear Actuator Installation	4-85
4-33	Power Turbine Tachometer Generator, Oil Pressure Transducer, Oil Pressure Switch, and Fuel Pressure Switch Installation	4-86

LIST OF ILLUSTRATIONS (CON'T)

NUMBER	TITLE	PAGE
4-34	Starter Generator and Gas Producer Tachometer Generator	4-87
4-35	Installation - Engine Torque Transducer Hose	4-89
4-36	Installation - Fuel Drain and Bleed Lines	4-91
4-37	Installation - Starter Fuel Filter and Oil Bypass Valve Hose	4-92
4-38	Installation - Bleed Air Tubing	4-93
4-39	Installation - Oil Hose	4-95
4-40	Installation - Heat Shield Tailpipe and Ejector	4-96
4-41	Electrical Cable Installation - Engine Left Side	4-97
4-42	Electrical Cable Installation - Engine Right Side	4-100
5-1	Main Rotor System	5-2
5-2	Main Rotor Installation	5-4
5-3	Main Rotor System Torque Values	5-6
5-4	Tool Application - Grip Lock Installation on Pitch Horn	5-7
5-4.1	Barrel Jack Installation	5-8
5-4.2	Barrel Jack Work Aid	5-8.1
5-5	Tool Application - Main Rotor Mast Nut Removal/Installation	5-8.2
5-6	Tool Application Alignment of Main Rotor Hub and Blade	5-9
5-7	Damage Limits - Cone Set	5-11
5-8	Pitch Link Assembly Adjustments	5-13
5-9	Pitch Link Assembly	5-14
5-10	Main Rotor Hub and Blade Assembly	5-16
5-11	Work Aid for Main Rotor Blade Bolt Removal Fabrication Instructions (AVIM)	5-17
5-12	Work Aid Application - Main Rotor Blade Retaining Bolt Removal	5-18
5-13	B540 Main Rotor Blade	5-23
5-14	B540 Main Rotor Blade Authorized Patch Area (AVIM)	5-25
5-15	B540 Main Rotor Blade Trim Tab Installation	5-27
5-16	K747 Main Rotor Blade (Part Numbers K747-003-205, -209, -303)	5-30.1
5-16.1	K747 Main Rotor Blade (Part Numbers K747-003-309, -401, -403)	5-31
5-17	External Appearance Changes to K747-003-205/-309, -209/-401, and -303/-403 Blades Resulting from Improved Weight Retention Features	5-32
5-18	Internal Modification Incorporated in K747-003-205/-309, -209/-401, and -303/-403 Blades for Improved Weight Retention	5-33
5-19	Damage Limits - Root Fittings (K747 Blade)	5-36.2
5-19.1	Damage Limits - Root Fittings- Part Number K747-083-1 (K747 Blade)	5-37
5-20	Damage Limits - Drag Strut (P/N K747-072-1) (K747 Blade)	5-38
5-20.1	Damage Limits - Drag Strut - Part Number K747-082-1 (K747 Blade)	5-38.1
5-21	Inspection of K747-003-205/-309, -209/-401, -303/-403 Blades for Loss of Blade Weight Retention Integrity	5-39
5-22	Proximity Limits for Patches-K747 Main Rotor Blades	5-40
5-23	Balance Adjustment for Patches (K747 Blade)	5-43
5-24	Root Fitting Assembly (K747-205, -208, -303 Blades)	5-52
5-24.1	Root Fitting Assembly (-309, -401, -403 Blades)	5-52.1
5-24.2	Drag Strut Assembly (-309, -401, -403 Blades)	5-52.3
5-25	Application of Skin Patch (K747 Blade)	5-54
5-26	Curing Patch with Blade Repair Fixture (K747 Blade)	5-56
5-27	Installation of Plug Patch (K747 Blade)	5-60

LIST OF ILLUSTRATIONS (CONT)

NUMBER	TITLE	PAGE
5-28	Typical Double Plug Patch Repair (K747 Blade)	5-67
5-28.1	Application of Trailing Edge Doubler Patch (K747 Blade)	5-68
5-28.2	Spline Repair (K747Blade)	5-71
5-28.3	Rebonding Delaminated Leading Erosion Guard (K747Blade)	5-72.1
5-28.4	Typical Repair of Fluorocarbon Erosion Guard Nicks and Cuts Using Kit P/N 747-207	5-72.3
5-28.5	Application of Leading Edge Erosion Guard Patch (K747 Blade)	5-72.5
5-28.6	Placement of Erosion Guard Replacement Part (Kit P/N K747-206-1) Method for Determining Current Boot Material and Thickness (K747 Blade series)	5-72.7
5-28.7	K747 Blade Uralite Repair	5-72.10
5-28.8	Application of Vacuum Bagging Materials and Placement of Erosion Guard	5-72.11
5-28.9	Repair Parts and Specimen Orientation (Kit P/N 747-206)	5-72.15
5-28.10	Vacuum Bagging for Installation of Erosion Guard Repair Kit, P/N K747-206	5-72.18
5-28.11	Improvised Mold for Casting Small Section of Leading Edge Filler	5-72.21
5-28.12	Repair Parts Orientation Use for Removal and Installation of stainless Steel Erosion Guard - K747-003-303/-403 and -303/-403 Field Modified Blades	5-72.23
5-28.13	Preparation of K747-003-303/-403 Blade for Application of Sealant	5-72.24
5-28.14	Application of Sealant to Stainless Steel Guard for K747-003-303/-403 Blade	5-72.26
5-28.15	Stainless Steel Erosion Guard Holding Fixture	5-72.27
5-28.16	Masking for Paint Touch-Up After Installation of Kit K747-206	5-72.31
5-29	Main Rotor Hub Yoke Extension and Grip Assembly	5-72.35
5-30	Main Rotor Hub Yoke and Trunnion	5-74
5-31	Main Rotor Bearing Wear Patterns	5-77
5-32	Damage Limits -Main Rotor Hub Yoke Extension	5-78
5-33	Damage Limits -Main Rotor Hub Bolt Holes	5-79
5-34	Damagelimits - Main Rotor Hub	5-81
5-35	Damage Limits -Main Rotor Hub Grip	5-82
5-36	Damage limits -Main Rotor Hub Strep Fitting	5-83
5-37	Damage Limits- Pitch Horn Bushing	5-85
5-38	Damage Limits - Main Rotor Hub Pitch Horn 209-010-109-5 (Prior to Accomplishment of MWO 55-1520-244-50-6)	5-86
5-38.1	Damage Limits - Main Rotor Hub Pitch Horn 209-010-109-109 (After Accomplishment of MWO 55-1520-244-50-6 and MWO 55-1520-244-50-9)	5-86.1
5-39	Damage Limits -Main Rotor Drag Brace	5-87
5-40	Damage Limits -Main Rotor Hub Trunnion	5-88
5-40.1	Damage Limits -Hub Moment Spring Plate	5-88.1
5-40.2	Damage Units-Limits Moment Spring Strap	5-88.2
5-41	Damage Limits- Main Rotor Hub ElastomericB earing	5-89
5-42	Main Rotor Hub Yoke Chafing Pad Installation Dimensions	5-90
5-42.1	Main Rotor Hub Yoke Buffer Installation -Dimensions	5-90
5-43	Tool Application -Bearing Removal From Housing	5-90.2
5-44	Tool Application-BearingRemoval From Grip	5-92
5-45	Tool Application -Bearingand Seal Installation in Grip	5-93
5-46	Tool Application -Main Rotor Hub Trunnion Centering	5-96
5-47	Tool Application-Grip Spacing Adjustment	5-97
5-48	Main Rotor Hub Grip Dust Seal to Radius Ring Dimension	5-99
5-49	Rotor Balancing Kit P/N 7A050.....	5-101
5-50	Tool Application-Main Rotor Hub Balancing	5-102
5-51	Main Rotor Controls Installation	5-104
5-52	Tool Application - Spline Plate Wear Measurement	5-107
5-52.1	Hub Moment Spring Support Assembly - Installation (MWO 55-1520-244-50-3 Incorporated) . . .	5-108

LIST OF ILLUSTRATIONS (CON'T)

NUMBER	TITLE	PAGE
5-53	Collective Lever Trust Washer Wear Limits	5-108.1
5-53.1	Rod End Clevis Movement	5-108.4
5-53.2	Rod End Bearing	5-108.5
5-54	Damage Limits – Pitch Link Assembly (Prior to Accomplishment of MWO 55-1520-244-50-9)	5-109
5-54.1	Damage Limits – Pitch Link Assembly 209-010-520-103 (After Accomplishment of MWO 55-1520-244-50-9)	5-110.1
5-55	Damage Limits – Spline Plate	5-110.2
5-56	Damage Limits – Collective Lever	5-111
5-57	Damage Limits – Collective Lever Idle Link	5-112
5-58	Collective Lever Idle Link Assembly	5-113
5-59	Damage Limits – Swashplate Anti-Drive Link	5-114
5-60	Swashplate Anti-Drive Link	5-115
5-61	Damage Limits – Swashplate Anti-Drive Assembly Bellcrank	5-116
5-62	Damage Limits – Swashplate Anti-Drive Assembly Support	5-117
5-63	Swashplate Anti-Drive Assembly	5-118
5-63.1	Damage Limits – Hub Moment Spring Support Set, P/N 209-011-212-101 (MWO 55-1520-244-50-3 Incorporated)	5-120.2
5-63.2	Damage Limits – Hub Moment Spring	5-120.3
5-64	Scissors and Sleeve Assembly	5-121
5-65	Damage Limits – Hub, Sleeve, Scissors and Link	5-124
5-65.1	Installation of Shims	5-130.1
5-65.2	Collet Work Aid	5-130.1
5-66	Swashplate and Support Assembly	5-132
5-67	Damage Limits – Swashplate and Support Assembly	5-135
5-68	Tail Rotor Installation	5-139
5-69	Tail Rotor Hub and Blade Assembly	5-144
5-70	Tool Application – Tail Rotor Hub and Blade Assembly Balancing	5-146
5-71	Tail Rotor Hub Assembly	5-150
5-72	Damage Limits – Tail Rotor Hub Yoke	5-151
5-73	Damage Limits – Tail Rotor Hub Trunnion Set	5-152
5-74	Bearing Staking Tool P/N T101577	5-153
5-75	Tool Application – Bearing Installation (Staking) in Tail Rotor Yoke	5-155
5-76	Tail Rotor Controls – Crosshead, Weights, Links and Control Tube	5-156
5-77	Damage Limits – Tail Rotor Control Crosshead	5-160
5-78	Damage Limits – Tail Rotor Control Counterweight Bellcrank	5-161
5-79	Damage Limits – Tail Rotor Controls Pitch Link	5-162
5-80	Damage Limits – Tail Rotor Control Counterweight Link	5-163
5-81	Damage Limits – Tail Rotor Control Counterweight Support	5-164
5-82	Damage Limits – Tail Rotor Control Tube	5-165
5-83	Damage Limits – Link Assembly	5-166
5-84	Damage Limits – Idler	5-167
5-85	Damage Limits – Lever	5-168

LIST OF ILLUSTRATIONS (CONT)

NUMBER	TITLE	PAGE
5-86	Damage Limits – Tail Rotor Retention Nut	5-169
5-87	Tail Rotor Blade Pitch Horn Installation	5-171
5-88	Tail Rotor Blade Assembly	5-172
5-89	Tail Rotor Blade Station Diagram and Scratch –Type Damage Area Locations	5-173
5-90	Tail Rotor Blade – Area Authorized for Patch – Type Repair	5-174
5-91	Tail Rotor Blade Butt Area Repair	5-176
5-92	Damage Limits – Tail Rotor Blade Pitch Horn	5-178
5-93	Main Rotor Tracking Chart	5-182
5-94	Vertical Vibration Correction Chart	5-183
5-95	Vertical and Lateral Vibration Chart for K747 Rotor Blades	5-185
5-96	Lateral Vibration Correction Chart for B-540 Rotor Blades	5-187
5-97	Tracking Main Rotor	5-188
5-98	Tracking Main Rotor	5-189
5-99	Vibrex 4591 System Components and Carrying Case	5-191
5-100	A Main Rotor Balance Chart	5-194
5-101	Reading a Main Rotor Balance Chart	5-195
5-102	Reading a Main Rotor Balance Chart with an Incorrect “Clock Angle”	5-196
5-103	Reading the Tail – Rotor Charts	5-198
5-104	Magnetic Pickup and Double Interrupter Installation	5-200
5-105	Magnetic Pickup/Interrupter Installation	5-201
5-106	Magnetic Pickup Cable Installation	5-202
5-107	Balancer Installation	5-203
5-108	Lateral Accelerometer Installation	5-204

LIST OF ILLUSTRATIONS (CON'T)

NUMBER	TITLE	PAGE
5-109	Vertical Accelerometer Installation	5-205
5-110	Deleted	
5-111	Tip Targets Installation	5-208
5-112	Reflective Target Installation	5-209
5-113	Reading the Main Rotor Chart	5-210
5-114	Reading the Main Rotor Tracking Chart	5-212
5-115	Accelerometer Cable Installation (Typical)	5-214
5-116	Tracking Tail Rotor	5-215
5-117	Balancing Tail Rotor	5-217
6-1	Drive Train (Typical)	6-4
6-2	Gearbox Oil Contamination – Description and Corrective Action	6-5
6-2.1	Typical Oil System Debris at 6X Magnification	6-6.3
6-2.2	Deleted	
6-3	Main Driveshaft Installation	6-8
6-4	Tool Application – Transmission Positioning Jacks P/N T101440 (T35)	6-10
6-5	Tool Application – Engine to Transmission Driveshaft Alignment P/N T101419 (T35)	6-11
6-6	Main Driveshaft Assembly	6-13
6-7	Inspection and Lubrication of Main Driveshaft	6-14.1
6-7.1	Main Driveshaft Internal Corrosion Area	6-17
6-8	Coupling Wear Criteria for Driveshaft	6-18
6-9	Damage Limits – Main Driveshaft Assembly	6-20
6-9.1	Main Driveshaft	6-20.1
6-9.2	Main Driveshaft Installation and Removal Tool	6-20.2
6-9.3	Work Aid Tool Installed on Main Driveshaft	6-20.2
6-9.4	Main Driveshaft Damage Limits	6-20.3
6-10	Transmission Quills	6-25
6-11	Transmission Installation	6-27
6-12	Transmission Buildup	6-29
6-13	P Transducer Bracket Installation	6-32
6-14	Damage Limits – Transmission	6-34
6-15	Transmission Shipping Covers, Caps, and Plugs	6-41
6-15.1	Lift Link Attaching Point	6-44.1
6-16	Main Input Quill Assembly	6-45
6-16.1	Transmission Input Quill Work Aid (Sheet 1 of 2)	6-46.1
6-16.2	Transmission Input Quill Work Aid (Sheet 2 of 2)	6-46.2
6-16.3	Input Drive Quill Wear Sleeve Replacement	6-46.3
6-17	Work Aid – Main Input Drive Quill Installation	6-47
6-18	Damage Limits – Tail Rotor Drive Quill	6-50
6-19	Tail Rotor Drive Quill Assembly	6-53
6-20	Hydraulic Pump and Tachometer Drive Quill Assembly	6-56
6-21	Fan Drive Quill Assembly	6-58
6-22	Work Aid – Quill Installation	6-59
6-23	E M Alternator Drive Quill Assembly	6-62
6-24	Main Rotor Mast Assembly	6-64
6-24.1	Inspection of Buffers and Plate	6-65
6-24.2	Workaid for Mast Buffer	6-66
6-25	Damage Limits – Main Rotor Mast Assembly	6-66.1
6-26	Deformation Limits – Main Rotor Mast	6-68
6-27	Damage Limits – Main Rotor Mast Bearing and Mast Bearing Retaining Plate	6-69
6-28	Transmission Top Case Dimension Check	6-73
6-29	Tail Rotor Driveshaft Installation	6-76
6-30	Tail Rotor Driveshaft Inspection Diagram	6-77
6-31	Tail Rotor Driveshaft Hanger Assembly	6-81

LIST OF ILLUSTRATIONS (CON'T)

NUMBER	TITLE	PAGE
6-32	Coupling Teeth Wear Patterns	6-82
6-33	Work Aid – Driveshaft Hanger Support Alignment	6-85
6-34	Intermediate Gearbox Installation	6-87
6-35	Intermediate Gearbox Quill, Seals, and Couplings (Typical)	6-88
6-35.1	Intermediate and Tail Rotor Gearbox Troubleshooting Chart	6-90.2
6-36	Damage Limits – Intermediate Gearbox	6-91
6-37	Oil Filler Cap Assembly	6-99
6-38	Tail Rotor Drive Gearbox Installation	6-103
6-39	Tail Rotor Drive Gearbox Assembly	6-105
6-40	Tail Rotor Drive Gearbox Input Quill	6-106
6-41	Damage Limits – Tail Rotor Drive Gearbox	6-108
6-42	Roller Bearing Wear Patterns	6-115
6-43	Tail Rotor Drive Gearbox Gear Patterns	6-116
6-44	Tool Application – Removal/Installation of Tail Rotor Drive Gearbox Input Quill Retainer Bolt	6-119
6-45	Tool Application – Removal/Installation of Tail Rotor Drive Gearbox Input Quill Retainer Nut	6-120
6-45.1	Driveshaft/Spherical Couplings	6-120.2
6-45.2	Coupling Inspection	6-120.2
6-46	Transmission Oil System Schematic (Typical)	6-126
6-47	Transmission Oil System Installation	6-127
6-48	Transmission Oil Pump	6-129
6-49	Transmission Oil Pump – Test Setup	6-131
6-50	Transmission Oil Cooler Installation	6-132
6-50.1	Oil Cooler Cleaning Schematic	6-132.2
6-51	Oil Cooler Automatic Emergency Bypass Valve Assembly	6-135
6-52	Damage Limits – Inlet Fitting	6-137
6-53	Damage Limits – Return Bypass Fitting	6-138
6-54	Damage Limits – Inlet Bypass Piston	6-139
6-55	Damage Limits – Piston	6-140

LIST OF ILLUSTRATIONS (CON'T)

NUMBER	TITLE	PAGE
6-56	Damage Limits – Nozzles	6-141
6-57	Damage Limits – Sleeve	6-142
6-58	Damage Limits – Universal Fitting Bolt and Elbow	6-143
6-59	Damage Limits – Housing Assembly	6-144
6-60	Damage Limits – Plunger	6-146
6-61	Damage Limits – Elbow Fitting	6-147
6-62	Fittings – Repair	6-148
6-63	Nozzles – Repair	6-149
6-64	Plunger – Repair	6-149
6-65	Work Aid Application – Plunger and Piston	6-150
6-66	Oil Cooler Automatic Emergency Bypass Valve – Bench Test Schematic	6-151
6-67	Transmission External Oil Filter Installation (Typical)	6-153
6-67.1	Transmission External Oil Filter Installation (After Incorporation of MWO 1-1520-236-50-30)	6-154.3
6-67.2	Transmission External Oil Filter (After Incorporation of MWO 1-1520-236-50-30)	6-154.4
6-68	Transmission Oil Filter (Primary) Assembly	6-155
6-69	Transmission Oil Manifold Installation	6-158
6-70	Transmission Oil Pressure Relief Valve Assembly	6-159
7-1	P Hydraulic System	7-3
7-2	P Emergency (Electric Motor Driven) Hydraulic System	7-8
7-3	Dual Hydraulic Servo Cylinders Installation	7-9
7-4	Hydraulic Reservoirs	7-28
7-5	P Hydraulic Reservoir – Emergency System	7-29
7-6	Hydraulic Reservoir Assembly	7-31
7-7	Emergency Electric Motor Driven Hydraulic Pump Installation	7-37
7-8	Filter Element Installation	7-41
7-9	Non-Cleanable Filter Elements	7-42
7-10	P Accumulator and Lockout Valve Installation	7-43
7-11	Work Aid for Dual Hydraulic Cylinder Removal and Installation	7-46
7-12	Dual Hydraulic Cylinder	7-47
7-13	Tool Application – Cylinder Assembly Torque Fixture, Part Numbers T41000310-1 and T100619-2	7-49
7-14	Damage Limits for Hydraulic Cylinder Bearing Housing	7-52
7-15	Dual Hydraulic Cylinder Assembly (Typical)	7-53
7-16	Flight Control Hydraulic Cylinder and Servo Actuator Valve	7-55
7-17	P Dual Hydraulic Cylinder Valve Connections	7-59
7-18	Dual Hydraulic Cylinders to Swashplate and Collective Lever Installation	7-61
7-19	Dual Hydraulic Cylinder Servo Valve Installation	7-62
7-20	(SCAS) Servo Actuator Assembly	7-63
7-21	Tail Rotor Control Cylinder and Support Installation	7-66
7-22	Tail Rotor Control Cylinder and Support Assembly	7-67
7-22.1	Hydraulic Servocylinder, Part No. 1660 Series (Typical), Exploded View	7-68.4

LIST OF ILLUSTRATIONS (CON'T)

NUMBER	TITLE	PAGE
7-22.2	Hydraulic Servocylinder, Part No. 1660 Series (Typical), Exploded View	7-68.6
7-23	Solenoid Valve P/N 204-076-504-31 Installation	7-73
7-24	Solenoid Valve P/N 204-076-504-3 FSCM 94641 P/N 1-U-1025-63 Assembly	7-75
7-25	Functional Test Setup for Solenoid Valve P/N 204-076-504-3 FSCM 94641 P/N 1-U-1025-63	7-80
7-26	Flow Diagram for Solenoid Valve P/N 204-076-504-3 FSCM 94641 P/N 1-U-1025-63 .	7-81
7-27	Pressure Drop Test Setup for Solenoid Valve P/N 204-076-504-3 FSCM 94641 P/N 1-U-1025-63	7-81
7-28	Solenoid Valves (SCAS System) – Installation	7-84
7-29	P Solenoid Valve P/N 7U7464 Installation	7-92
7-30	P Solenoid Valve P/N 7U7464 Assembly	7-95
7-31	P Functional Test Setup for Solenoid Valve P/N 7U7464	7-98
7-32	P Flow Diagram for Solenoid Valve P/N 7U7464	7-98
7-33	P Pressure Drop Test Setup for Solenoid Valve P/N 7U7464	7-99
7-34	Servo Actuator (Electrohydraulic) – Wing Pylon Armament	7-102
7-35	Work Aid for Wing Pylon Armament Servo Actuator Disassembly Assembly	7-104
7-36	Work Aid for Seal Installation on Wing Pylon Armament Servo Actuator	7-105
7-37	Sheet for Recording Test Data for Wing Pylon Armament Servo Actuator	7-107
7-38	Schematic Diagram Wing Pylon Armament Servo Actuator Connections for Bench Test .	7-108
7-39	Tool Application Wing Pylon Armament Servo Actuator Test Fixture	7-109
7-40	E M Hydraulic System	7-111
7-41	E M Emergency (Electric) Motor Driven Hydraulic System	7-117
7-42	E M Solenoid Valves P/N 204-076-504-3 Installation	7-144
7-43	E M Solenoid Valves (SCAS System) – Installation	7-149
8-1	P E Instrument System Equipment Location	8-2
8-2	Pitot – Static System	8-26.3
8-2.1	Connection for Pitot Leak Check (Typical)	8-26.4
8-2.2	Connection for Static Leak Check (Typical)	8-26.5
8-3	Test Circuit Setup for Fuel Tank Unit Capacitance and Resistance Tests	8-42
8-4	Test Circuit Setup for Fuel Quantity Indicator Bench Test	8-43
8-5	Circuit Arrangement and Adapter Cable for Fuel Quantity Adjustment Procedures on Installed System	8-44
8-5.1	Fuel Quantity Test Set P/N PSD60-1AF	8-44.4
8-5.2	Fuel Quantity "T" Cable P/N PSDAF-537	8-44.5
8-5.3	Fuel Quantity Calibration Worksheet	8-44.6
8-6	Volt-Ammeter Test Set-up	8-49
9-1	P Simplified Electrical Bus Wiring Schematic	9-2
9-2	E M Simplified Electrical Bus Wiring Schematic	9-3
9-3	P Electrical Equipment Location Forward Section	9-4
9-4	P Electrical Equipment Location Pilot Section	9-6

LIST OF ILLUSTRATIONS (CON'T)

NUMBER	TITLE	PAGE
9-5	P Electrical Equipment Location Gunner Section	9-8
9-6	E Electrical Equipment Location Aft Section	9-10
9-7	E Electrical Equipment Location Forward Section	9-13
9-8	E Electrical Equipment Location Pilot Section	9-13
9-9	E Electrical Equipment Location Gunner Section	9-18
9-10	E Electrical Equipment Location Aft Section	9-20
9-11	Environmental Connector Test Adapter	9-23
9-12	P Standby Inverter Adjustment	9-66
9-13	P Pilot Caution Panel	9-80.1
9-14	E Pilot Caution Panel	9-80.1
9-14.1	Deleted	
8-15	M Pilot Caution Panel	9-81
9-15.1	Deleted	
9-16	P Gunner Caution Panel	9-82.1
9-17	E M Gunner Caution Panel	9-82.1
9-17.1	Deleted	
9-17.2	Pilots Caution Panel Assembly	9-88.7
9-17.3	Pilots Caution Panel Subassembly	9-88.8
9-17.4	Housing Subassembly	9-88.11
9-17.5	Cover Assembly	9-88.11
9-17.6	Indicating Light Circuit Card	9-88.12
9-17.7	Contact Assembly	9-88.16
9-17.8	Polarizing Keys Location	9-88.17
9-17.9	Removal of Finish for Electrical Bonding	9-88.19

LIST OF ILLUSTRATIONS (CON'T)

NUMBER	TITLE	PAGE
9-17.10	Position of Contacts in Latch Base	9-88.23
9-17.11	Gunners Caution Panel Schematic Diagram	9-88.25
9-17.12	Gunners Caution Panel	9-88.32
9-17.13	Gunners Caution Panel Wiring Connections	9-88.35
9-18	Bench Test Set-Up for RPM Limits Warning Detector	9-93
9-19	P Armament Equipment Location	9-128
9-20	P TOW Missile Launcher Positions	9-131
9-21	P Wing Stores Armament Test Panel	9-139
9-22	P Wing Stores Armament Test Panel Schematic	9-140
9-23	E Armament Equipment Location	9-155
9-24	E TOW Missile Launcher Positions	9-164
9-25	E DU Digital Display Test	9-173
9-26	E LRU Fault Identification and Location Test	9-173
9-27	E XM18 Minigun Circuitry Test Panel	9-175
9-28	E Wing Stores Circuitry Test Panel	9-180
9-29	M TOW Missile Launcher Positions	9-195
9-30	M DU Digital Display Test	9-204
9-31	M LRU Fault Identification and Location Test	9-204
9-32	M XM18 Minigun Circuitry Test Panel	9-206
9-33	M Wing Stores Circuitry Test Panel	9-211
10-1	Fuel Systems Schematic	10-3
10-2	Fuel System	10-4
10-3	Fuel Shutoff Valve	10-9
10-4	Fuel Boost Pump	10-12.1
10-4.1	Fuel Boost Pump Cartridge	10-12.2
10-4.2	Work Aid for Fuel Pump Cartridge Removal	10-12.3
10-5	Collapsing Forward Fuel Cell	10-22
10-6	Installed Forward Fuel Cell	10-24
10-7	Collapsing Aft Fuel Cell	10-26
11-1	Collective Controls	11-4
11-2	Pilot Collective Stick Installation	11-8
11-3	Pilot Collective Stick Assembly	11-9
11-4	Bearing Installation - Pilot Throttle Grip	11-14
11-5	Friction Lining Repair	11-16
11-6	Throttle Lever Bearing Installation	11-17
11-7	Collective Friction Tube Repairs	11-18
11-8	Pilot Collective Stick Adjustments	11-20
11-9	Gunner Collective Stick Installation	11-22
11-10	Gunner Collective Stick - Assembly	11-25
11-11	Gunner Collective Stick Adjustment	11-27
11-12	Force-And-Aft Cyclic Controls	11-30
11-13	Lateral Cyclic Controls	11-32
11-14	Work Aid for Rigging Swashplate	11-34

LIST OF ILLUSTRATIONS (CON'T)

NUMBER	TITLE	PAGE
11-15	Swashplate Rigging Dimensions	11-35
11-16	Pilot Cyclic Stick Installation	11-36
11-17	Pilot Cyclic Stick Assembly	11-40
11-18	Collar and Bushing Installation	11-42
11-19	Pilot Cyclic Stick Friction Adjustment	11-44
11-20	Gunner Cyclic Stick Installation	11-46
11-21	Gunner Cyclic Stick Assembly	11-48
11-22	Fore-And-Aft Cyclic Jackshaft Installation	11-51
11-23	Force Gradient Assembly	11-56.1
11-24	Tail Rotor Controls	11-57
11-25	Tail Rotor Pedal Installation	11-62
11-26	P Stability and Control Augmentation System (SCAS)	11-70
11-27	E M Stability and Control Augmentation System (SCAS)	11-71
11-27.1	SCAS Transducer Calibration	11-74.2
11-28	Elevator Control System	11-76
11-29	Elevator Installation	11-79
11-30	Damage Limits - Fixed Length Flight Control Tubes and Links (Typical)	11-82
11-31	Control System Linkage Installation	11-85
11-32	Damage Limits - Anti-Torque System	11-95
11-33	Damage Limits - Elevator Control System	11-102
11-34	Damage Limits - Collective Control System	11-104
11-35	Damage Limits - Cyclic Control System	11-110
11-36	Flight Control System Bearings	11-118
11-37	Lateral Cyclic and Collective Controls Power Cylinder Support Installation	11-119
11-38	Fore-And-Aft Cyclic Controls Power Cylinder Support Installation	11-120
11-39	Damage Limits - Power Cylinder Supports	11-121
12-1	Engine Fire Detection System	12-3
12-2	Low G Warning System	12-5
12-3	Low G Warning Assembly 8A10	12-9
12-4	Accelerometer 8A11	12-10
12-5	Low G Warning Light/Switch 8DS25	12-12
12-6	Converter 8M1	12-13
13-1	Environmental Control System	13-3
13-2	Environmental Control Unit	13-5
13-3	Environmental Control System Schematic	13-7
13-4	Temperature Control Valve	13-8
13-5	Temperature Control Valve Schematic	13-9
13-6	ECU Cooling Turbine	13-12
13-6.1	ECU Cooling Turbine Lubrication	13-12.1
13-7	Pressure Regulator and Shutoff Valve	13-14
13-8	Pressure Regulator and Shutoff Valve Schematic	13-16
13-9	Blower Impeller Assembly	13-18
13-10	Vent Air Control Valve - Installation	13-21
13-11	Vent Air Control Valve	13-22
13-12	Vent Air Control Valve Test Set-Up	13-24
13-13	Rain Removal Manifold	13-28
13-14	Rain Removal Thermal Switch-Installation	13-30
13-15	Rain Removal Nozzle and Cleared Air Pattern	13-31
13-16	Rain Removal Valve	13-34
13-17	Limits Chart Air Distribution Valve	13-36
13-18	Tool Application - Teflon Lip Seal Installation	13-38
16-1	E M Turret Installation	16-4
16-2	Special Tools for Ejector Racks	16-12

LIST OF ILLUSTRATIONS (CON'T)

NUMBER	TITLE	PAGE
16-3	Outboard Ejector Rack Installation	16-21
16-4	Ejector Rack Alignment	16-24
16-5	Outboard Ejector Rack Assembly	16-27
16-6	Inboard Ejector Rack Installation	16-32
16-6.1	Contact Protusion Inside Breech	16-32.1
16-6.2	Wiring Harness Assembly	16-32.2
16-7	Inboard Ejector Rack Assembly	16-34
16-8	Wing Stores Pylon and Fairings	16-35
17-1	Canopy Removal System	17-2
17-2	Damage Limits - Linear Shaped Charge Assembly	17-4
C-1	Inventory Item List	C-3
F-1	Wiring Identification Chart	F-5
F-1.1	Symbols Chart	F-6
F-1.2	P Altimeter Vibrator System Wiring Diagram	F-45
F-2	P External Power System Wiring Diagram	F-47
F-3	P Starter System Wiring Diagram	F-49
F-4	P Ignition System Wiring Diagram	F-50
F-5	P Anticollision and Position Lights System Wiring Diagram	F-51
F-6	P Searchlight System Wiring Diagram	F-52
F-7	P Engine De-Ice System Wiring Diagram	F-53
F-8	P Fuel Valve and Oil Valve System Wiring Diagram	F-54
F-9	P Fuel Boost System Wiring Diagram	F-55
F-10	P Governor Control System Wiring System	F-56
F-11	P Idle Stop System Wiring Diagram	F-57
F-12	P Force Trim System Wiring Diagram	F-58
F-13	P Environmental Control System Wiring Diagram	F-59
F-14	P Pitot Heater System Wiring Diagram	F-60
F-15	P TOW Blower Cooling System Wiring Diagram	F-61
F-16	P Attitude Indicating System Wiring Diagram	F-63
F-17	P FUEL Quantity Indicating System Wiring Diagram	F-64
F17.1	P Turn and Slip Indicating System Wiring Diagram	F-65
F-18	P Radio Blower Cooling System Wiring Diagram	F-65
F-18.1	I Armament Relay Location	F-66
F-19	I AC Electrical Load Chart	F-67
F-20	F Altimeter Vibrator System Wiring Diagram	F-83
F-21	F External Power System Wiring Diagram	F-85
F-22	F Starter System Wiring Diagram	F-87
F-23	F Searchlight System Wiring Diagram	F-89
F-24	F Engine De-Ice System Wiring Diagram	F-90
F-25	F Fuel Valve and Engine Oil Valve System Wiring Diagram	F-91
F-26	F Fuel Boost System Wiring Diagram	F-92
F-27	F Governor Control System Wiring Diagram	F-93
F-28	F Idle Stop System Wiring Diagram	F-94
F-29	F Force Trim System Wiring Diagram	F-95
F-30	F Environmental Control System Wiring Diagram	F-97
F-31	F Pitot Heater System Wiring Diagram	F-98
F-32	E TOW Blower Cooling System Wiring Diagram	F-99
F-33	E Radio Blower Cooling System Wiring Diagram	F-100
F-34	E Attitude Indicating System Wiring Diagram	F-101
F-35	E Fuel Quantity Indicating System Wiring Diagram	F-102
F-36	E Tachometer Indicating System Wiring Diagram	F-103
F-36.1	E Centrisep Particle Separator Wiring Diagram (After Incorporation of MW0 55-1520-236-50-12)	F-104
F-37	E Turn and Slip Indicating System Wiring Diagram	F-105

LIST OF ILLUSTRATIONS (CON'T)

NUMBER	TITLE	PAGE
F-38	E Electrical Equipment Component Replacement Wiring Diagram	F-106
F-38.1	E Armament Relay Location	F-106.1
F-39	M AC Electrical Load Chart	F-108
F-40	M DC Electrical Load Chart	F-109
F-41	M Tachometer Indicating System	F-110
F-42	M Pressure Indicating Systems	F-121
F-43	M Temperature Indicating Systems	F-131
F-44	M Attitude Indicating System (Equipment Location)	F-141
F-45	M Turn and Slip Indicating System	F-147
F-46	M Fuel Quantity Indicating System	F-151
F-47	M Altimeter Vibrator System	F-160
F-48	M DC Generator Power System (Equipment Location)	F-167
F-49	M Battery System (Equipment Location)	F-177
F-50	M External Power Provisions	F-184
F-51	M DC Power Distribution and Interconnect Logic (Equipment Location)	F-189
F-52	M AC Power System(Equipment Location)	F-197
F-53	M Starter System	F-207
F-54	M Ignition System	F-213
F-55	M Interior Lights System (Equipment Location)	F-221
F-56	M Caution Lights System (Equipment Location)	F-235
F-57	M RPM Limit Warning System (Equipment Location)	F-259
F-58	M Position Lights System	F-269
F-59	M Anticollision Light System	F-276
F-60	M Searchlight System	F-279
F-61	M Engine De-Ice System	F-284
F-62	M Fuel Valve and Engine Oil Bypass Valve Systems	F-292
F-63	M Fuel Boost System	F-300
F-64	M Governor Control System	F-307
F-65	M Idle Stop System	F-316
F-66	M Force Trim System	F-322
F-67	M Hydraulic Control System (Equipment Location)	F-331
F-68	M Environmental Control System	F-341
F-69	M Pitot Heater System	F-350
F-70	M TOW Blower Cooling System	F-354
F-71	M Radio Blower Cooling System	F-361
F-71.1	M Centrisep Particle Separator Wiring Diagram (After Incorporation of MWO 55-1520-236-50-12)	F-366.1
F-72	M Universal Turret Subsystem (Equipment Location)	F-367
F-73	M TOW Missile Armament Subsystem (Equipment Location)	F-383
F-74	M Fire Control System (Equipment Location)	F-399
F-75	M Wing Stores Armament Subsystem (Equipment Location)	F-419
F-76	M Electrical Equipment Component Replacement	F-425
F-77	M Electrical Equipment Component Replacement (After MWO 55-1520-236-50-4)	F-466
F-78	MCN C-NITE Subsystem (Equipment Location)	F-469
F-79	MCN C-NITE Electrical Equipment Component Replacement	F-471
F-80	MCN FLIR Subsystem Jumper Cable Assemblies	F-472
FO-1	P Hydraulic System Schematic	FO-1
FO-2	E M Hydraulic System Schematic	FO-2
FO-3	Balancer and Strobex Description	FO-3
FO-4	P AC Electrical Load Chart	FO-4
FO-5	P AC Electrical Load Chart	FO-5
FO-6	P AC Electrical Load Chart	FO-6

LIST OF ILLUSTRATIONS (CON'T)

NUMBER	TITLE	PAGE
FO-7	P AC Electrical Load Chart	FO-7
FO-8	P DC Electrical Load Chart	FO-8
FO-9	P DC Electrical Load Chart	FO-9
FO-10	P DC Electrical Load Chart	FO-10
FO-11	P DC Electrical Load Chart	FO-11
FO-12	P DC Electrical Load Chart	FO-12
FO-13	P DC Electrical Load Chart	FO-13
FO-14	P DC Electrical Load Chart	FO-14
FO-15	P DC Electrical Load Chart	FO-15
FO-16	P DC Electrical Load Chart	FO-16
FO-17	P Battery System	FO-17

LIST OF ILLUSTRATIONS (CONT)

NUMBER	TITLE	PAGE
FO-18	P Generator and DC Bus System	FO-18
FO-19	P AC Power Supply	FO-19
FO-20	P Interior Lights System	FO-20
FO-21	P Interior Lights System	FO-21
FO-21.1	P Interior Lights System	FO-21.1
FO-22	P Interior Lights System	FO-22
FO-22.1	P Interior Lights System	FO-22.1
FO-23	P Caution Lights System	FO-23
FO-24	P Caution Lights System	FO-24
FO-25	P RPM Limit Warning System	FO-25
FO-26	P Hydraulic Control System	FO-26
FO-27	P Armament Turret System	FO-27
FO-28	P Armament Turret System	FO-28
FO-29	P Armament Turret System	FO-29
FO-30	P Armament Wing Stores System	FO-30
FO-31	P Armament Wing Stores System	FO-31
FO-32	P Armament Wing Stores System	FO-32
FO-33	P Armament TOW Missile Wiring Diagram	FO-33
FO-34	P Armament TOW Missile Wiring Diagram	FO-34
FO-35	P Armament TOW Missile Wiring Diagram	FO-35
FO-36	P Armament TOW Missile Wiring Diagram	FO-36
FO-37	P Pressure Indicating System	FO-37
FO-38	P Tachometer Indicating Systems	FO-38
FO-39	P Temperature Indicating Systems	FO-39
FO-40	P RPM Limit Warning Test Set Schematic	FO-40
FO-41	E AC Electrical Load Chart	FO-41
FO-42	E DC Electrical Load Chart	FO-42
FO-43	E DC Electrical Load Chart	FO-43
FO-44	E Battery System	FO-44
FO-45	E DC Generator Power System	FO-45
FO-46	E DC Power Distribution and Interconnect Logic	FO-46
FO-47	E DC Power Distribution and Interconnect Logic	FO-47
FO-48	E AC Power System	FO-48
FO-49	E Ignition System	FO-49

LIST OF ILLUSTRATIONS (CON'T)

NUMBER	TITLE	PAGE
FO-50	E Interior Lights System	FO-50
FO-50.1	E Interior Lights System	FO-50.1
FO-51	E Interior Lights System	FO-51
FO-51.1	E Interior Lights System	FO-51.1
FO-52	E Interior Lights System	FO-52
FO-53	E Caution Lights System	FO-53
FO-54	E Caution Lights System	FO-54
FO-54.1	E Caution Lights System (After Incorporation of MWO 1-1520-236-50-30)	FO-54.1
FO-54.2	E Caution Lights System (After Incorporation of MWO 1-1520-236-50-30)	FO-54.2
FO-54.3	E Caution Lights System (After Incorporation of MWO 1-1520-236-50-30)	FO-54.3
FO-54.4	E Caution Lights System (After Incorporation of MWO 1-1520-236-50-30)	FO-54.4
FO-55	E RPM Limit Warning System	FO-55
FO-56	E Anticollision and Position Lights System	FO-56
FO-57	E Hydraulic Control System	FO-57
FO-58	E Turret System	FO-58
FO-59	E Turret System	FO-59
FO-60	E Turret System	FO-60
FO-61	E Turret System	FO-61
FO-62	E Turret System	FO-62
FO-63	E Turret System	FO-63
FO-64	E Turret System	FO-64
FO-65	E Wing Stores System	FO-65
FO-66	E Wing Stores System	FO-66
FO-67	E Wing Stores System	FO-67
FO-68	E TOW Missile System	FO-68
FO-69	E TOW Missile System	FO-69
FO-70	E TOW Missile System	FO-70
FO-71	E TOW Missile System	FO-71
FO-72	E TOW Missile System	FO-72
FO-73	E TOW Missile System	FO-73
FO-74	E TOW Missile System	FO-74
FO-75	E TOW Missile System	FO-75
FO-76	E TOW Missile System	FO-76
FO-77	E TOW Missile System	FO-77

NUMBER	TITLE	PAGE
FO-78	E Pressure Indicating System	FO-78
FO-79	E Temperature Indicating System	FO-79
FO-80	E Electrical Equipment Component Replacement	FO-80
FO-81	E Electrical Equipment Component Replacement	FO-81
FO-81.1	E Electrical Equipment Component Replacement	FO-81.1
FO-82	E Electrical Equipment Component Replacement	FO-82
FO-83	E Electrical Equipment Component Replacement	FO-83
FO-84	E Electrical Equipment Component Replacement	FO-84
FU-85	E Electrical Equipment Component Replacement	FO-85
FO-86	E Electrical Equipment Component Replacement	FO-86
FO-87	E Electrical Equipment Component Replacement	FO-87
FO-88	E Electrical Equipment Component Replacement	FO-88
FO-89	E Electrical Equipment Component Replacement	FO-89
FO-90	E Electrical Equipment Component Replacement	FO-90
FO-91	M Pressure Indicating System	FO-91
FO-92	M Temperature Indicating Systems	FO-92
FO-93	M Attitude Indicating System	FO-93
FO-94	M DC Generator Power System	FO-94
FO-95	M Battery System	FO-95
FO-96	M DC Power Distribution and Interconnect Logic	FO-96
FO-97	M DC Power Distribution and Interconnect Logic	FO-97
FO-98	M AC Power System	FO-98
FO-99	M Ignition System	FO-99
FO-100	M Interior Lights System	FO-100
FO-100.1	M Interior Lights System	FO-100.1
FO-101	M Interior Lights System	FO-101
FO-101.1	M Interior Lights System	FO-101.1
FO-102	M Interior Lights System	FO-102
FO-102.1	M Interior Lights System	FO-102.1
FO-103	M Interior Lights System	FO-103
FO-104	M Caution Lights System	FO-104
FO-105	M Caution Lights System	FO-105
FO-106	M RPM Limit Warning System	FO-106
FO-107	M RPM Limit Warning Test Set Schematic	FO-107
FO-108	M Hydraulic Control System	FO-108
FO-109	M Universal Turret Subsystem	FO-109
FO-110	M Universal Turret Subsystem	FO-110

LIST OF ILLUSTRATIONS (CON'T)

NUMBER	TITLE	PAGE
FO-111	M Universal Turret Subsystem	FO-111
FO-112	M Universal Turret Subsystem	FO-112
FO-113	M Universal Turret Subsystem	FO-113
FO-114	M Universal Turret Subsystem	FO-114
FO-115	M Universal Turret Subsystem	FO-115
FO-116	M Universal Turret Subsystem	FO-116
FO-117	M Universal Turret Subsystem	FO-117
FO-118	M Universal Turret Subsystem	FO-118
FO-119	M TOW Missile Armament Subsystem	FO-119
FO-120	M TOW Missile Armament Subsystem	FO-120
FO-121	M TOW Missile Armament Subsystem	FO-121
FO-122	M TOW Missile Armament Subsystem	FO-122
FO-123	M TOW Missile Armament Subsystem	FO-123
FO-124	M TOW Missile Armament Subsystem	FO-124
FO-125	M TOW Missile Armament Subsystem	FO-125
FO-126	M TOW Missile Armament Subsystem	FO-126
FO-127	M TOW Missile Armament Subsystem	FO-127
FO-128	M TOW Missile Armament Subsystem	FO-128
FO-129	M TOW Missile Armament Subsystem	FO-129
FO-130	M Fire Control System	FO-130
FO-131	M Fire Control System	FO-131
FO-132	M Fire Control System	FO-132
FO-133	M Fire Control System	FO-133
FO-134	M Wing Stores Armament Subsystem	FO-134
FO-135	M Wing Stores Armament Subsystem	FO-135
FO-136	M Wing Stores Armament Subsystem	FO-136
FO-137	M Electrical Equipment Component Replacement	FO-137
FO-138	M Electrical Equipment Component Replacement	FO-138
FO-139	M Electrical Equipment Component Replacement	FO-139
FO-140	M Electrical Equipment Component Replacement	FO-140
FO-141	M Electrical Equipment Component Replacement	FO-141
FO-142	M Electrical Equipment Component Replacement	FO-142
FO-143	M C N TOW Missile Armament Subsystem	FO-143
FO-144	M C N Fire Control System	FO-199
FO-145	E M Low G Warning System	FO-211
FO-146	M AIM-1/EXL Laser Gunsight System	FO-213
FO-147	M GPS Trimpack System	FO-215

LIST OF TABLES

NUMBER	TITLE	PAGE
1-1	Engine Fuel Specifications	1-3
1-2	Approved Fuels	1-4
1-3	Consumable Maintenance Supplies and Materials	1-10.1
1-4	Special Tools and Test Equipment	1-19
1-5	Support Equipment	1-24.1
1-6	Root Mean Square/Abrasive Grit Equivalency	1-24.1
1-7	Deleted	
1-8	Deleted	
1-9	Deleted	
1-10	Deleted	
1-11	Adhesive Mix Ratio, Pot Life, and Cure Cycles	1-24.2
1-11.1	Mooring Hardware Chart	1-54.1
1-12	Flight Safety Parts	1-89
2-1	Main Beam Panels (Structural)	2-13
2-2	Structural Repair Materials	2-17
2-3	Forward Fuselage – Classification of Damage	2-26
2-4	Tailboom – Classification of Damage	2-69
2-5	Wing – Classification of Damage	2-248
4-1	Repair Methods – IR Suppression System (AVIM)	4-43
4-1.1	IR Suppressor Damage and Repair Limits (Non Structural Area)	4-44.4
4-1.2	IR Suppressor Damage and Repair Limits (Major Structural Elements Only)	4-44.8
4-2	Troubleshooting Engine Oil System	4-51
4-2.1	Oil Debris Classification Chart	4-54.5
4-3	Dimension Tolerance – Turbine Fan	4-67
5-1	Difference Between Models	5-34
5-1.1	Classification of Damage – K747 Main Rotor Blade	5-45
5-1.2	Classification of Damage – K747 Main Rotor Blade	5-49
5-2	Plug Patch Data	5-58
5-3	Troubleshooting – Tail Rotor System	5-140
5-4	Troubleshooting the VIBREX4591 System with the VIBREX Tester, Model 11	5-218
6-1	Troubleshooting – Drive Train System	6-2
6-1.1	Oil Debris Classification Chart (Aircraft without ODDS)	6-6.2
6-1.2	Oil Debris Classification Chart (Aircraft with ODDS)	6-6.4
6-2	Gearbox Oil Debris Classification	6-90.1
6-3	Troubleshooting – Transmission Oil System	6-122
7-1	Maximum Allowable Leakage for Hydraulic System	7-11
7-2	P Emergency Hydraulic System Operational Switching Sequence	7-15
7-3	P Troubleshooting of Hydraulic System	7-20
7-4	Torque Values for Fluid Connections	7-34
7-4.1	Inspection Criteria	7-68.3
7-4.2	Troubleshooting Chart	7-68.6
7-4.3	Leading Particulars T/R Control Cylinder	7-68.7
7-5	Leading Particulars for Solenoid Valve P/N 204-076-504-3 FSCM 94641 (1-U-1025-63)	7-71

LIST OF TABLES (CON'T)

NUMBER	TITLE	PAGE
7-6	Non-Destructive Test Requirements for solenoid Valve P/N 204-076-504-3 FSCM 94641 P/N 1-U-1025-63 (AVIM)	7-76
7-7	Diametrical Clearance Requirements for Solenoid Valve P/N 204-076-504-3 FSCM 94641 P/N 1-U-1025-63 (AVIM)	7-77
7-8	Troubleshooting During Testing Solenoid Valve P/N 204-076-504-3 FSCM 84641 P/N 1-U-1025-63 (AVIM)	7-79
7-9	P Non-Destructive Test Requirements for Solenoid Valve P/N 7U7464 (AVIM)	7-94
7-10	P Diametrical Clearance Requirements for Solenoid Valve P/N 7U7464 (AVIM)	7-95
7-11	Troubleshooting During Testing of Solenoid Valve P/N 7U7464 (AVIM)	7-97
7-12	E M Emergency Hydraulic System Operational Switching Sequence	7-122
7-13	E M Troubleshooting Hydraulic System	7-125
7-14	Leading Particuiars for Solenoid Valve P/N 204-076-504-3 FSCM 84641 P/N 1-U-1025-63	7-142
8-1	Troubleshooting -Tachometer IndicatingSystem	8-8
8-2	Troubleshooting - Engine and Transmission Oil Temperature and Pressure indicating System	8-14
8-3	Troubleshooting - Turbine Gas Temperature Indicating System	8-20
8-4	Troubleshooting -Torque Pressure Indicating System	8-22
8-4.1	Tolerance -(± Knots)	8-26
8-4.2	Vertical Speed Tolerance Accuracy.	8-26.1
8-4.3	Vertical Speed Tolerance Test Scale Accuracy	8-26.1
8-5	Trouble - Airspeed Indicators	8-29
8-6	Troubleshooting -Ammeters	8-30
8-7	Troubleshooting -Attitude Indicators	8-32
8-8	Troubleshooting -Vertical Speed Indicators	8-34
8-9	Troubleshooting -Free Air Temperature Gage	8-33
8-10	Troubleshooting -Fuel Quantity Indicating System	8-39
8-11	Fuel Tank Table of Limits	8-43
8-12	Troubleshooting -Voltmeter/Ammeter	8-48
8-13	P E Troubleshooting – Pilots Steering Indicator (PSI)	8-51
9-1	Troubleshooting – Battery System	9-29
9-2	Troubleshooting – External Power System	9-34
9-3	P Troubleshooting -Generator and DC Bus System	9-37
9-4	P M Trouble - DCGenerator Power System	9-41
9-4.1	Voltage Regulator Adjustment Settings	9-44.2
9-5	P M Troubleshooting - TRU Power System	9-46
9-6	P M DC Power Distribution and Interconnect Logic Chart	9-49
9-7	P M Troubleshooting - DC Power Distribution Interconnect Logic	9-50
9-8	P Troubleshooting - Inverter System	9-58
9-9	P M Troubleshooting - AC Power System	9-62
9-10	Troubleshooting -Starting System	9-74

LIST OF TABLES (CON'T)

NUMBER	TITLE	PAGE
9-11	Troubleshooting - Ignition System.....	9-75
9-12	Troubleshooting- Cockpit Lights.....	9-77
9-12.1	Dimrner Control Input/Output Voltages	9-78.1
9-13	Troubleshooting- Console,E ngine,Flight, and Tactical Instrument Light	9-79
9-14	Pilots Caution Panel Lights	9-83
9-15	Gunners Caution Panel Lights	9-83
9-15.1	Troubleshooting Pilots Caution Panel	9-88.2
9-15.2	Pilots Caution Panel Wiring Chart	9-88.21
9-15.3	Gunners Caution Panel Fault Inputs	9-88.27
9-15.4	Troubleshooting - Gunners Caution Panel	9-88.28
9-15.5	Gunners Caution Panel Wiring Chart	9-88.36
9-16	Troubleshooting -RPM Limit Warning System	9-91
8-16.1	Troubleshooting- Skid Landing Light System	9-94.1
9-16.2	Troubleshooting - ODDS	9-94.3
9-17	Troubleshooting -Position Lights System	9-95
9-18	Troubleshooting - Anticollision Light	9-98
9-19	Troubleshooting -Searchlight System	9-100
9-20	Troubleshooting -Transmisson Oil Level Light	9-102
9-21	Troubleshooting -Engine De-Icing circuitry.	9-103
9-22	Troubleshooting - Engine Oil Bypass valve Circuitry	9-105
9-23	Troubleshooting- Fuel ValveCircuitry	9-106
9-24	Troubleshooting - Fuel Boost Pumps Circuitry	9-107
9-25	Troubleshooting -Governor Control Circuitry	9-108
9-26	Troubleshooting -Idle Stop Solenoid System Circuitry	9-110
9-26.1	E M Troubleshooting Centrisep Particle Separator Circuitry (After Incorporation of MWO (55-1520-236-50-12)	9-110.1
9-27	Troubleshooting- Force Trim System Circuitry	9-111
9-28	Troubleshooting -Hydraulic Control System Circuitry	9-113
9-29	Troubleshooting -Environmental Control System Circuitry	9-115
9-30	Troubleshooting- Pitot Heating SystemCircuitry	9-117
9-31	Troubleshooting - TOW Blower Cooling System ..	9-118
9-32	Troubleshooting - Radio Blower Cooling System .	9-121
9-32.1	P Relay Matrix, Pilot in Control Mode	9-122.1
9-32.2	P Relay Matrix, Pilot in Fixed Forward Mode	9-122.3
9-32.3	P Relay Matrix, Gunner in Control Mode - HSS Controlling Turret	9-122.5
942.4	P Relay Matrix, Gunner in Control Mode -TSU Controlling Turret	9-122.7
9-32.5	P Relay Matrix, Gunner Controlling TOW and Pilot Controlling Turret and Wing Stores Mode	9-122.9
9-32.6	P Relay Matrix, TSU Acquisition of Target with Gunner or Pilot HSS Mode	9-122.11
9-32.7	P Relay Matrix, Pilot Override Mode	9-122.13
9-32.8	Relay Matix, Gunner Jettison Mode	9-122.15

NUMBER	TITLE	PAGE
9-32.9	P Relay Matrix, Pilot Jettison Mode	9-122.16
9-33	P Wing Stores Jettison Checklist Chart	9-143
9-34	P Troubleshooting – Rocket Launcher Circuitry	9-145
9-35	P Troubleshooting – XM-18 Minigun Circuitry	9-150
9-36	P Troubleshooting – Wing Stores Jettison Circuitry	9-152
9-36.1	E Relay Matrix, Gunner in Control Mode - HSS Controlling Turret	9-156.1
9-36.2	E Relay Matrix, Gunner in Control Mode - TSU Controlling Turret	9-156.3
9-36.3	E Relay Matrix, Gunner Controlling TOW and Pilot Controlling Turret and Wing Stores Mode	9-156.5
9-36.4	E Relay Matrix, Pilot in Control Mode	9-156.7
9-36.5	E Relay Matrix, Pilot Override Mode	9-156.9
9-36.6	E Relay Matrix, TSU Acquisition of Target with Gunner or Pilot HSS Mode	9-156.11
9-36.7	E Relay Matrix, Gunner Jettison Mode	9-156.13
9-36.8	E Relay Matrix, Pilot Jettison Mode	9-156.14
9-37	E XM-18 Minigun Checkout Chart	9-176
9-38	E Troubleshooting – XM-18 Minigun Circuitry	9-177
9-39	E Wing Stores Jettison Checkout Chart	9-181
9-40	E Troubleshooting – Wing Stores Jettison Circuitry	9-183
9-41	M XM-18 Minigun Checkout Chart	9-207
9-42	M Troubleshooting – XM-18 Minigun Circuitry	9-208
9-43	M Wing Stores Jettison Checkout Chart	9-212
9-44	M Troubleshooting – Wing Stores Jettison Circuitry	9-214
10-1	Troubleshooting - Fuel System	10-1
11-1	Troubleshooting – Flight Control System	11-1
12-1	Troubleshooting - Engine Fire Detection System	12-1
12-2	Troubleshooting - Low G Warning System	12-6
13-1	Troubleshooting - ECU	13-1
13-2	Troubleshooting - Rain Removal Valve	13-32
16-1	P Troubleshooting Ejector Racks	16-13
16-2	E M Troubleshooting Ejector Racks	16-16
16-3	M Troubleshooting - AIM-1EXL Laser Gunsight Subsystem	16-39
F-1	P Equipment List (Electrical)	F-9
F-2	P Equipment List (Armament)	F-15
F-3	E Equipment List (Electrical)	F-19
F-4	E Equipment List (Armament)	F-26
F-5	M Equipment List (Electrical)	F-32
F-6	M Equipment List (Armament)	F-39

LIST OF TABLES

NUMBER	TITLE	PAGE
1-1	Engine Fuel Specifications	1-3
1-2	Approved Fuels	1-4
1-3	Consumable Maintenance Supplies and Materials	1-10.1
1-4	Special Tools and Test Equipment	1-19
1-5	Support Equipment	1-24
1-6	Self-Locking Fastener Allowable Tare Torque	1-24
1-7	Deleted	
1-8	Deleted	
1-9	Deleted	
1-10	Deleted	
1-11	Adhesive Mix Ratio, Pot Life, and Cure Cycles	1-24.1
2-1	Main Beam Panels (Structural)	2-13
2-2	Structural Repair Materials	2-17
2-3	Forward Fuselage - Classification of Damage	2-26
2-4	Tailboom - Classification of Damage	2-69
2-5	Wing - Classification of Damage	2-248
4-1	Repair Methods - IR Suppression System (AVIM)	4-43
4-1.1	IR Suppressor Damage and Repair Limits (Non Structural Area)	4-44.3
4-1.2	IR Suppressor Damage and Repair Limits (Major Structural Elements Only)	4-44.7
4-2	Troubleshooting Engine Oil System	4-51
4-3	Dimension Tolerance - Turbine Fan	4-67
5-1	Difference Between Models	5-34
5-1.1	Classification of Damage	5-45
5-1.2	Classification of Damage	5-49
5-2	Plug Patch Data	5-50
5-3	Troubleshooting - Tail Rotor System	5-140
5-4	Troubleshooting the VIBREX 4591 System with the VIBREX Tester, Model 11	5-218
6-1	Troubleshooting - Drive Train System	6-1
6-2	Troubleshooting - Transmission Oil System	6-121
7-1	Maximum Allowable Leakage for Hydraulic System	7-11
7-2	P Emergency Hydraulic System Operational Switching Sequence	7-15
7-3	P Troubleshooting of Hydraulic System	7-20
7-4	Torque Values for Fluid Connections	7-34
7-5	Leading Particulars for Solenoid Valve P/N 204-076-504-3 FSCM 94641 (1-U-1025-63)	7-71
7-6	Non-Destructive Test Requirements for Solenoid Valve P/N 204-076-504-3 FSCM 94641 P/N 1-U-1025-63 (AVIM)	7-76
7-7	Diametrical Clearance Requirements for Solenoid Valve P/N 204-076-504-3 FSCM 94641 P/N 1-U-1025-63 (AVIM)	7-77
7-8	Troubleshooting During Testing Solenoid Valve P/N 204-076-504-3 FSCM 94641 P/N 1-U-1025-63 AVIM)	7-79
7-9	P Non-Destructive Test Requirements for Solenoid Valve P/N 7U7464 (AVIM)	7-94
7-10	P Diametrical Clearance Requirements for Solenoid Valve P/N 7U7464 (AVIM)	7-95
7-11	Troubleshooting During Testing of Solenoid Valve P/N 7U7464 (AVIM)	7-97
7-12	E M Emergency Hydraulic System Operational Switching Sequence	7-122
7-13	E M Troubleshooting Hydraulic System	7-125
7-14	Leading Particulars for Solenoid Valve P/N 204-076-504-3, FSCM 94641, P/N 1-U-1025-63	7-142

LIST OF TABLES (CON'T)

NUMBER	TITLE	PAGE
8-1	Troubleshooting - Tachometer Indicating System	8-8
8-2	Troubleshooting - Engine and Transmission Oil Temperature and Pressure Indicating System	8-14
8-3	Troubleshooting - Turbine Gas Temperature Indicating System	8-20
8-4	Troubleshooting - Torque Pressure Indicating System	8-22
8-4.1	Tolerance (\pm Knots)	8-26
8-4.2	Vertical Speed Tolerance Test Scale Accuracy	8-26.1
8-4.3	Altimeter Scale Error	8-26.1
8-5	Troubleshooting - Airspeed Indicators	8-29
8-6	Troubleshooting - Altimeters	8-30
8-7	Troubleshooting - Attitude Indicators	8-32
8-8	Troubleshooting - Vertical Speed Indicators	8-34
8-9	Troubleshooting - Free Air Temperature Gage	8-38
8-10	Troubleshooting - Fuel Quantity Indicating System	8-39
8-11	Fuel Tank Table of Limits	8-43
8-12	Troubleshooting - Voltmeter/Ammeter	8-48
8-13	P E Troubleshooting - Pilots Steering Indicator (PSI)	8-51
9-1	Troubleshooting - Battery System	9-29
9-2	Troubleshooting - External Power System	9-34
9-3	P Troubleshooting - Generator and DC Bus System	9-37
9-4	F M Troubleshooting - DC Generator Power System	9-41
9-5	F M Troubleshooting - TRU Power System	9-46
9-6	F M DC Power Distribution and Interconnect Logic Chart	9-49
9-7	F M Troubleshooting - DC Power Distribution and Interconnect Logic	9-50
9-8	P Troubleshooting - Inverter System	9-58
9-9	F M Troubleshooting - AC Power System	9-62
9-10	Troubleshooting - Starting System	9-74
9-11	Troubleshooting - Ignition System	9-75
9-12	Troubleshooting - Cockpit Lights	9-77
9-13	Troubleshooting - Console, Engine, Flight, and Tactical Instrument Lights	9-79
9-14	Pilots Caution Panel Lights	9-83
9-15	Gunners Caution Panel Lights	9-83
9-15.1	Troubleshooting - Pilots Caution Panel	9-88.2
9-15.2	Pilots Caution Panel Wiring Chart	9-88.21
9-15.3	Gunners Caution Panel Fault Inputs	9-88.27
9-15.4	Troubleshooting - Gunners Caution Panel	9-88.28
9-15.5	Gunners Caution Panel Wiring Chart	9-88.36
9-16	Troubleshooting - RPM Limit Warning System	9-91
9-17	Troubleshooting - Position Lights System	9-95
9-18	Troubleshooting - Anticollision Light	9-98
9-19	Troubleshooting - Searchlight System	9-100
9-20	Troubleshooting - Transmission Oil Level Light	9-102
9-21	Troubleshooting - Engine De-Icing Circuitry	9-103
9-22	Troubleshooting - Engine Oil Bypass Valve Circuitry	9-105
9-23	Troubleshooting - Fuel Valve Circuitry	9-106
9-24	Troubleshooting - Fuel Boost Pumps Circuitry	9-107
9-25	Troubleshooting - Governor Control Circuitry	9-108
9-26	Troubleshooting - Idle Stop Solenoid System Circuitry	9-110
9-27	Troubleshooting - Force Trim System Circuitry	9-111
9-28	Troubleshooting - Hydraulic Control System Circuitry	9-113
9-29	Troubleshooting - Environmental Control System Circuitry	9-115
9-30	Troubleshooting - Pitot Heating System Circuitry	9-117

LIST OF TABLES (CON'T)

NUMBER	TITLE	PAGE
9-31	Troubleshooting - TOW Blower Cooling System	9-118
9-32	Troubleshooting - Radio Blower Cooling System	9-121
9-32.1	P Relay Matrix, Pilot in Control Mode	9-122.1
9-32.2	P Relay Matrix, Pilot in Fixed Forward Mode	9-122.3
9-32.3	P Relay Matrix, Gunner in Control Mode - HSS Controlling Turret	9-122.5
9-32.4	P Relay Matrix, Gunner in Control Mode - TSU Controlling Turret	9-122.7
9-32.5	P Relay Matrix, Gunner Controlling TOW and Pilot Controlling Turret and Wing Stores Mode .	9-122.9
9-32.6	P Relay Matrix, TSU Acquisition of Target with Gunner or Pilot HSS Mode	9-122.11
9-32.7	P Relay Matrix, Pilot Override Mode	9-122.13
9-32.8	P Relay Matrix, Gunner Jettison Mode	9-122.15
9-32.9	P Relay Matrix, Pilot Jettison Mode	9-122.16
9-33	P Wing Stores Jettison Checklist Chart	9-143
9-34	P Troubleshooting - Rocket Launcher Circuitry	9-145
9-35	P Troubleshooting - XM-18 Minigun Circuitry	9-150
9-36	P Troubleshooting - Wing Stores Jettison Circuitry	9-152
9-36.1	E Relay Matrix, Gunner in Control Mode - HSS Controlling Turret	9-156.1
9-36.2	E Relay Matrix, Gunner in Control Mode - TSU Controlling Turret	9-156.3
9-36.3	E Relay Matrix, Gunner Controlling TOW and Pilot Controlling Turret and Wing Stores Mode .	9-156.5
9-36.4	E Relay Matrix, Pilot in Control Mode	9-156.7
9-36.5	E Relay Matrix, Pilot Override Mode	9-156.9
9-36.6	E Relay Matrix, TSU Acquisition of Target with Gunner or Pilot HSS Mode	9-156.11
9-36.7	E Relay Matrix, Gunner Jettison Mode	9-156.13
9-36.8	E Relay Matrix, Pilot Jettison Mode	9-156.14
9-37	E XM-18 Minigun Checkout Chart	9-176
9-38	E Troubleshooting - XM-18 Minigun Circuitry	9-177
9-39	E Wing Stores Jettison Checkout Chart	9-181
9-40	E Troubleshooting - Wing Stores Jettison Circuitry	9-183
9-41	M XM-18 Minigun Checkout Chart	9-207
9-42	M Troubleshooting - XM-18 Minigun Circuitry	9-208
9-43	M Wing Stems Jettison Checkout Chart	9-212
9-44	M Troubleshooting - Wing Stores Jettison Circuitry	9-214
10-1	Troubleshooting Fuel System.....	10-1
11-1	Troubleshooting Flight Control System	11-1
12-1	Troubleshooting - Engine Fire Detection System	12-1
13-1	Troubleshooting - ECU	13-2
13-2	Troubleshooting - Rain Removal Valve	13-32
16-1	P Troubleshooting Ejector Racks	16-13
16-2	E M Troubleshooting Ejector Racks	16-16
F-1	P Equipment List (Electrical)	F-9
F-2	P Equipment List (Armament)	F-15
F-3	E Equipment List (Electrical)	F-19
F-4	E Equipment List (Armament)	F-26
F-5	M Equipment List (Electrical)	F-32
F-6	M Equipment List (Armament)	F-39

By Order of the Secretary of the Army:

CARL E. VUONO
General, United States Army
Chief of Staff

Official:

THOMAS F. SIKORA
Brigadier General, United States Army
The Adjutant General

DISTRIBUTION :

To be distributed in accordance with DA Form 12-31 AVUM and AVIM Maintenance requirements for AH-1F and AH-1P/E Helicopter, Attack.

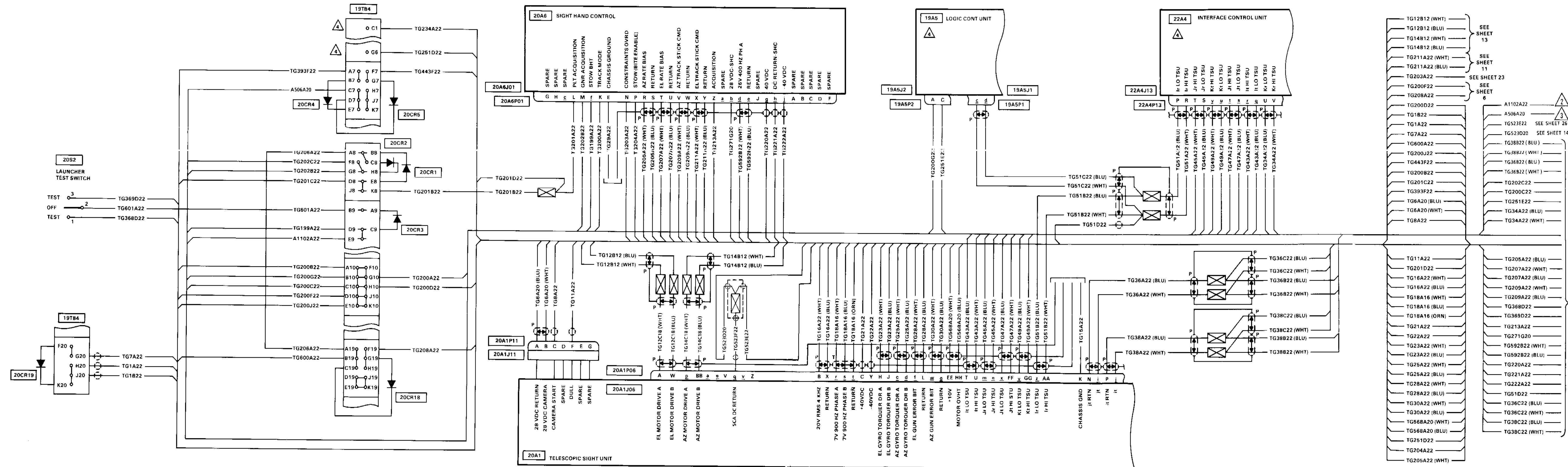


Figure FO-143. MCN TOW Missile Armament Subsystem (Sheet 1 of 28)

- 1 REFER TO INTERIOR LIGHTS SYSTEM WIRING DIAGRAM.
- 2 REFER TO MCN FIRE CONTROL SYSTEM WIRING DIAGRAM.
- 3 REFER TO WING STORES SYSTEM WIRING DIAGRAM.
- 4 REFER TO TURRET SYSTEM WIRING DIAGRAM.
- 5 REFER TO HYDRAULIC CONTROL SYSTEM WIRING DIAGRAM.
- 6 REFER TO DC POWER AND INTERCONNECT LOGIC WIRING DIAGRAM.
- 7 REFER TO TM11-1520-236 SERIES MANUALS.
- 8 REFER TO AC POWER SYSTEM WIRING DIAGRAM.
- 9 REFER TO TOW MISSILE ARMAMENT SUBSYSTEM WIRING DIAGRAM.

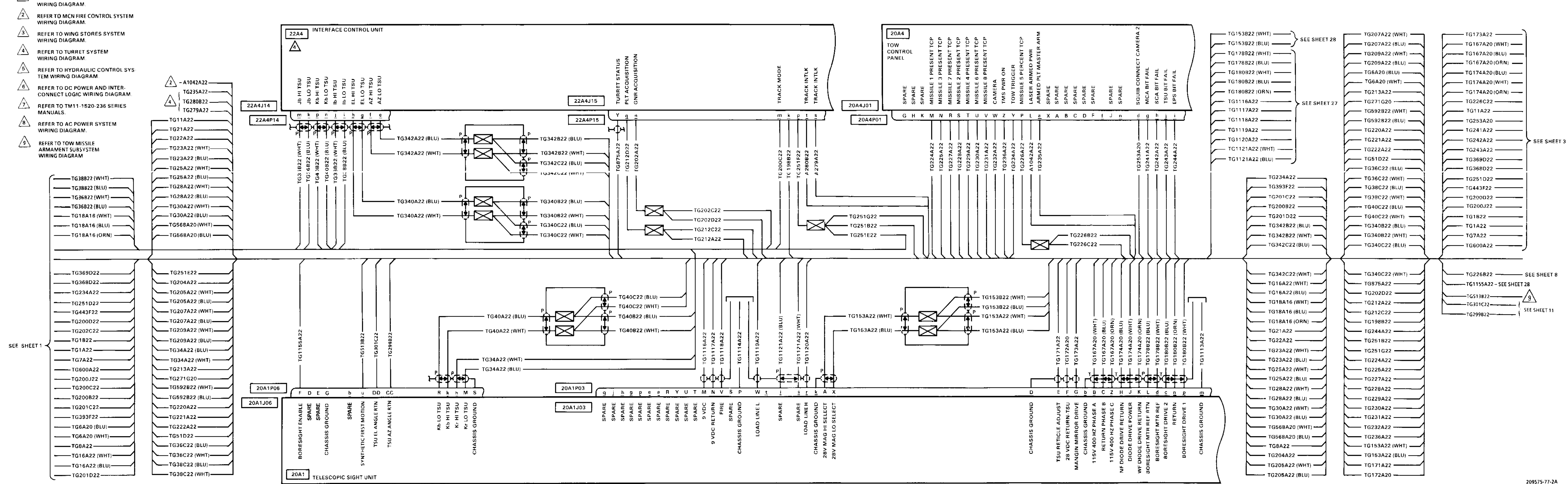


Figure FO-143. MCN TOW Missile Armament Subsystem (Sheet 2 of 28)

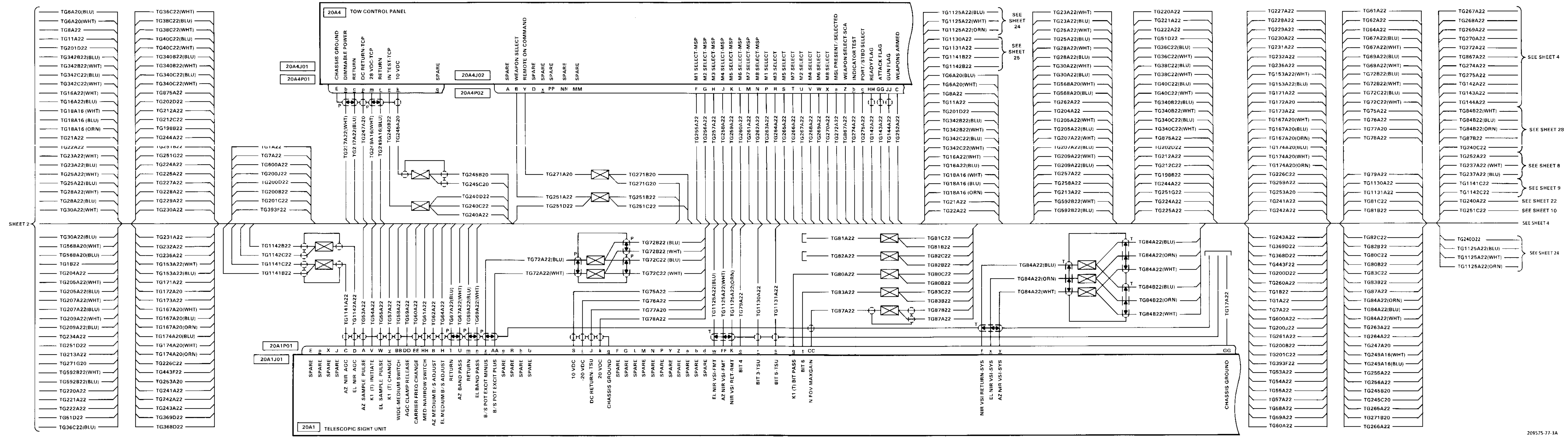


Figure FO-143. MCN TOW Missile Armament Subsystem (Sheet 3 of 28)

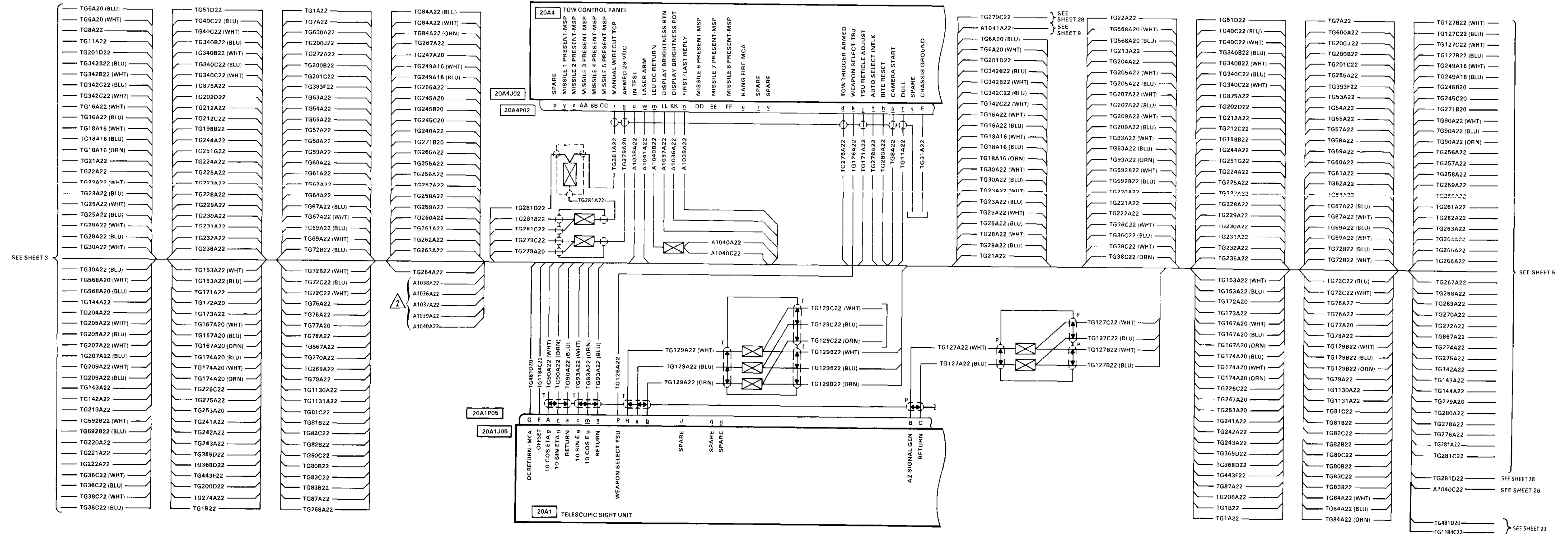


Figure FO-143. MCN TOW Missile Armament Subsystem (Sheet 4 of 28)

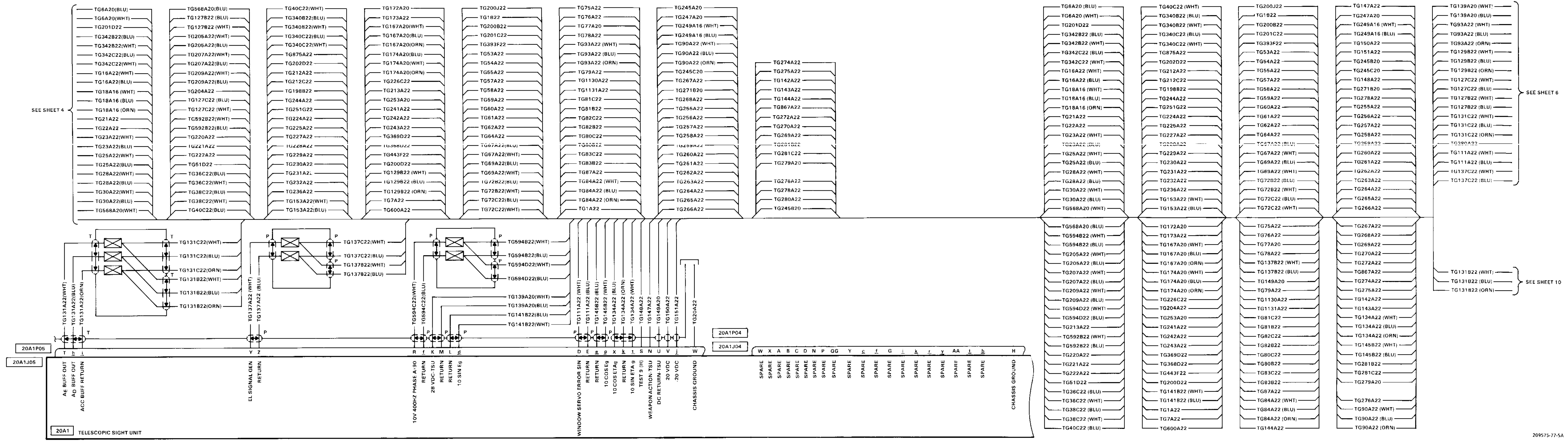
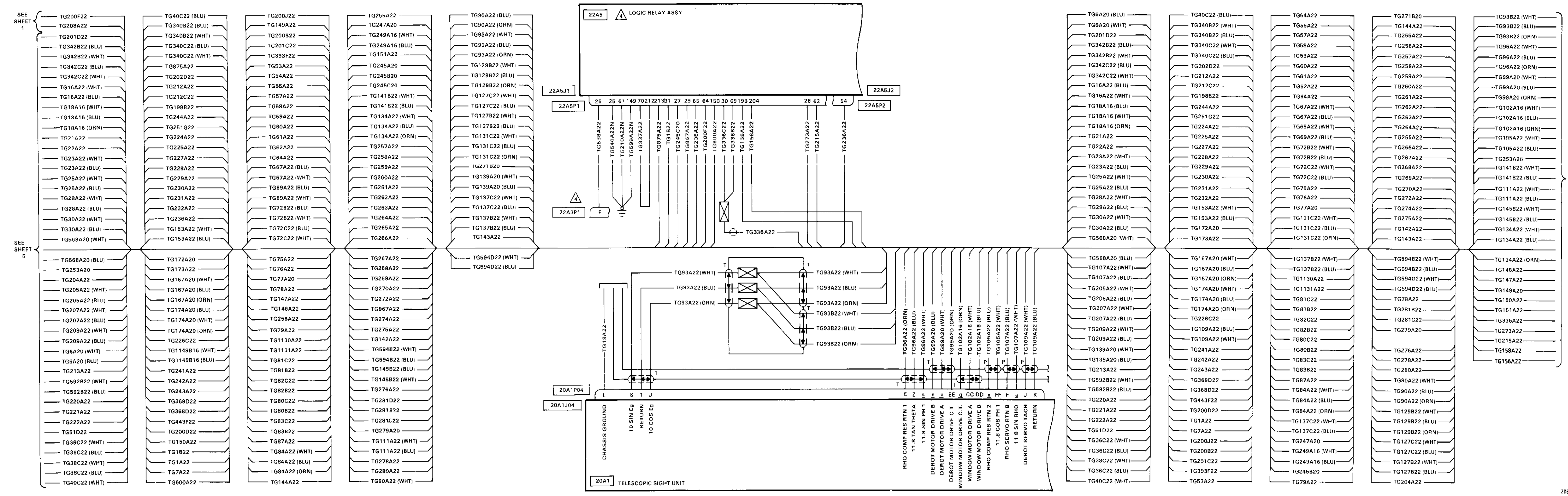


Figure FO-143. MCN TOW Missile Armament Subsystem (Sheet 5 of 28)



SEE SHEET 1

SEE SHEET 5

SEE SHEET 7

Figure FO-143. MICN TOW Missile Armament Subsystem (Sheet 6 of 28)

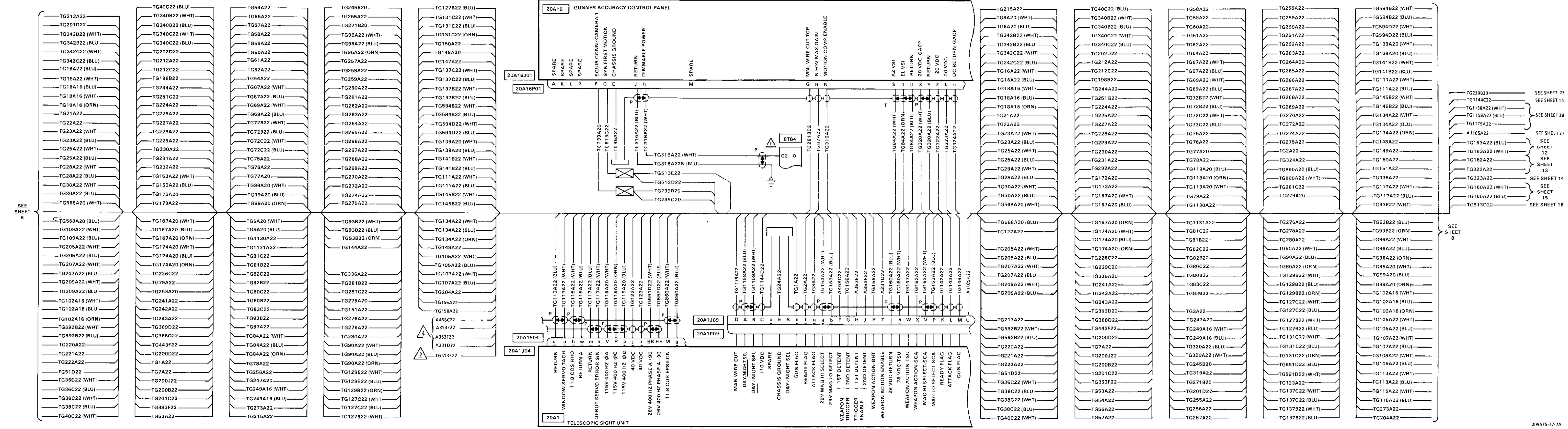
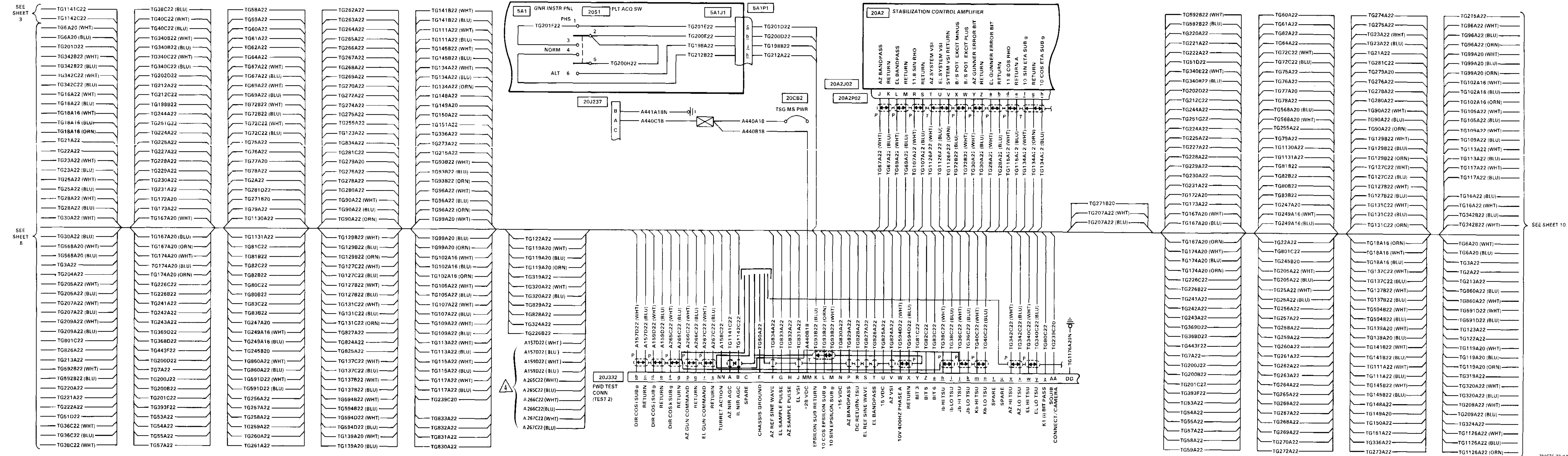


Figure FO-143. MCN TOW Missile Armament Subsystem (Sheet 7 of 28)

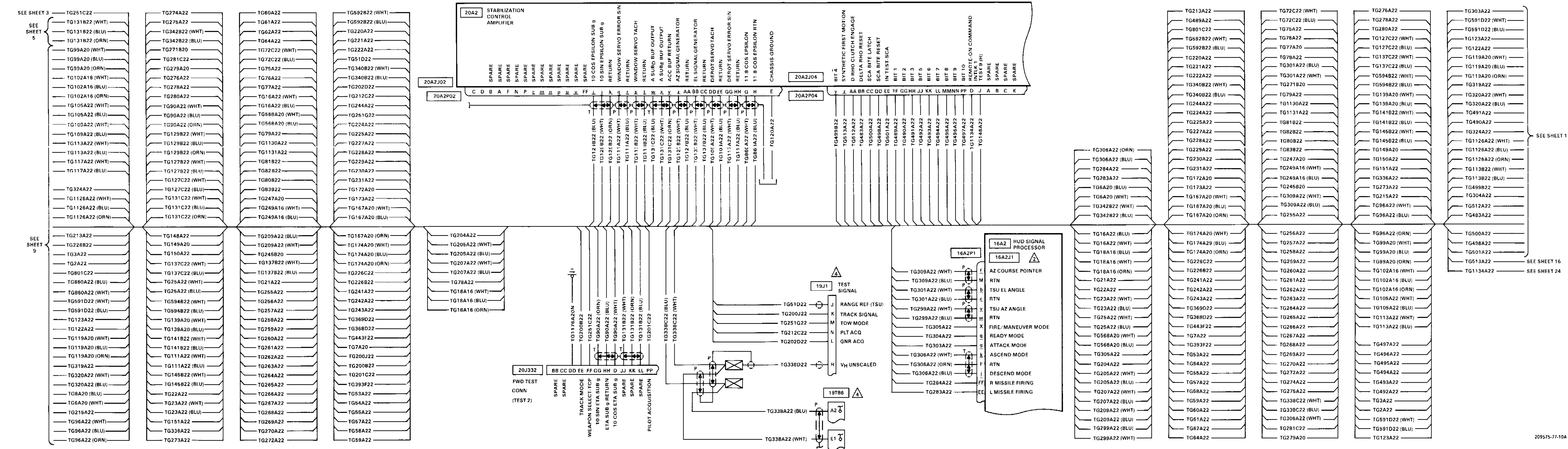


SEE SHEET 3

SEE SHEET 8

SEE SHEET 10

Figure FO-143. MCN TOW Missile Armament Subsystem (Sheet 9 of 28)



SEE SHEET 3

SEE SHEET 5

SEE SHEET 9

SEE SHEET 11

SEE SHEET 16

SEE SHEET 24

Figure FO-143. MCN TOW Missile Armament Subsystem (Sheet 10 of 28)

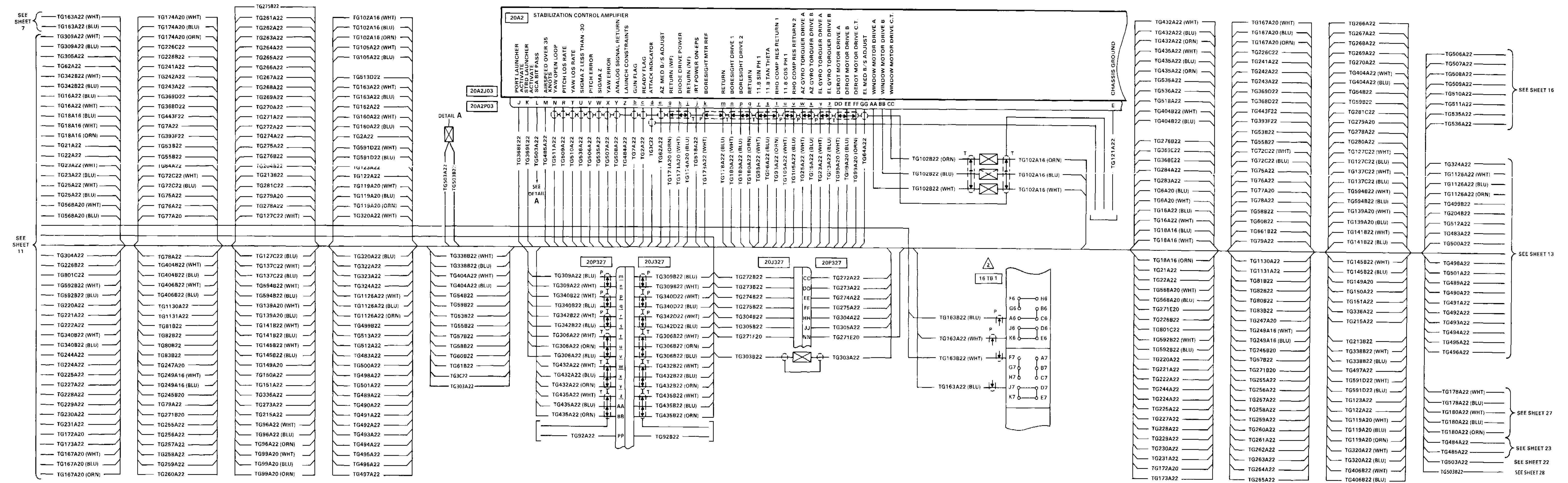


Figure FO-143. MCN TOW Missile Armament Subsystem (Sheet 12 of 28)

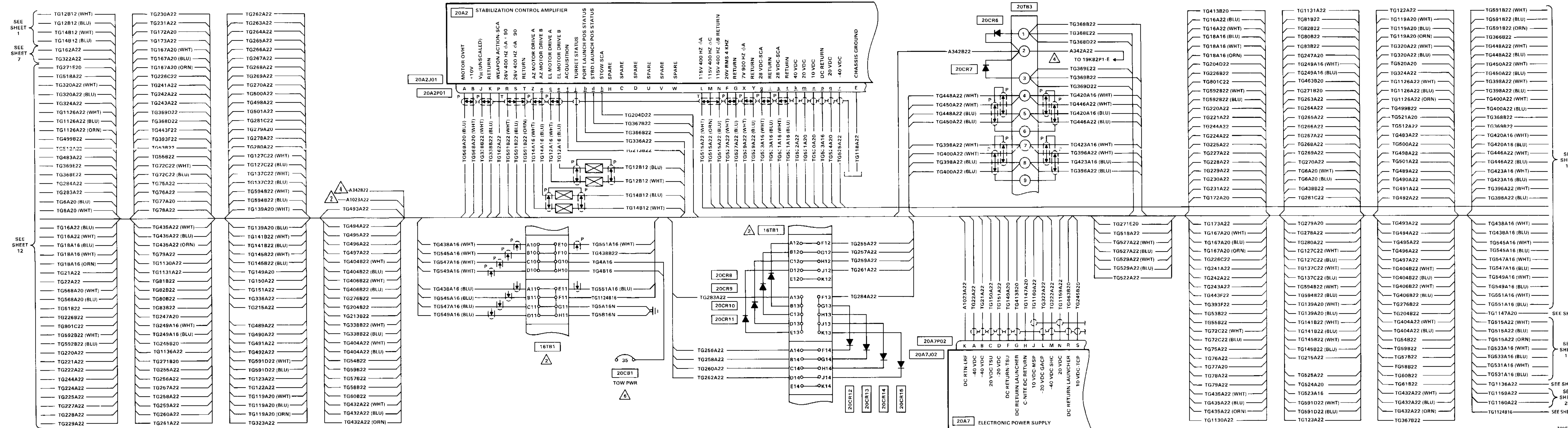


Figure FO-143. MCV TOW Missile Armament Subsystem (Sheet 13 of 28)

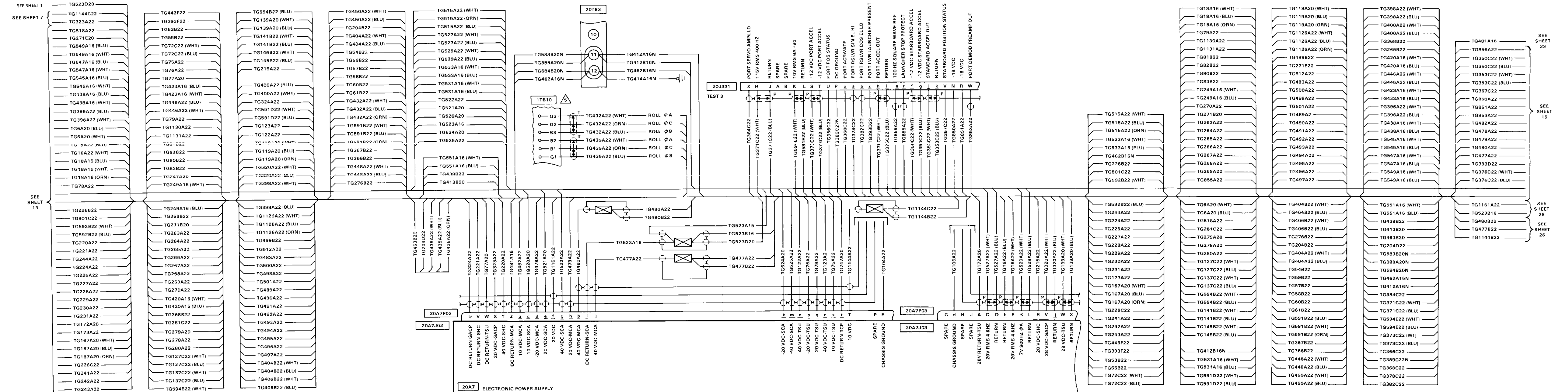
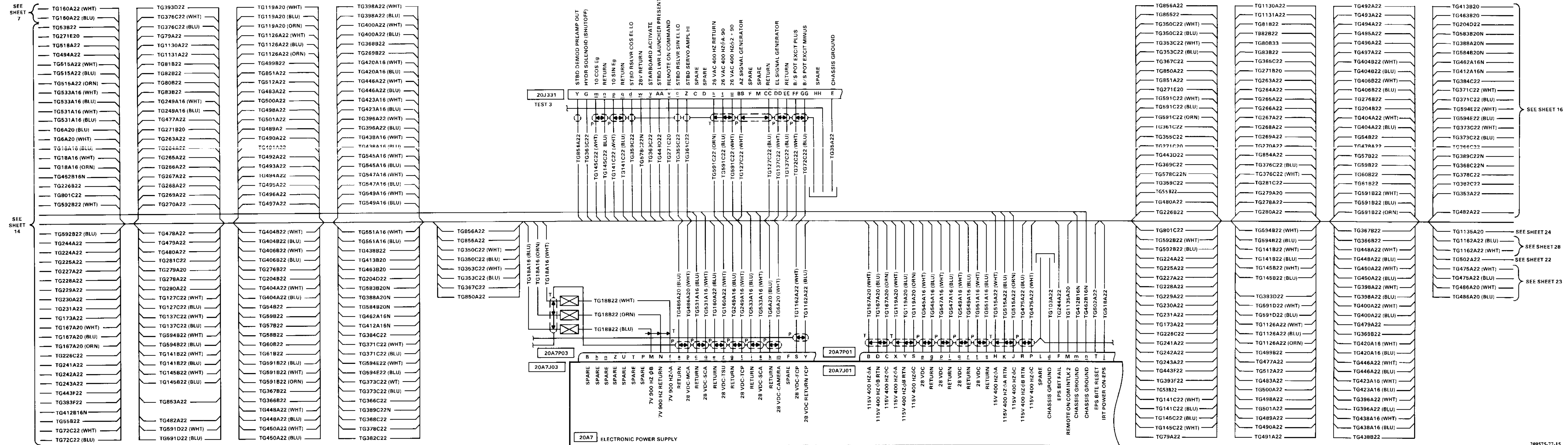


Figure FO-143. MCN TOW Missile Armament Subsystem (Sheet 14 of 28)



SEE SHEET 7

SEE SHEET 14

SEE SHEET 16

SEE SHEET 24

SEE SHEET 28

SEE SHEET 22

SEE SHEET 23

Figure FO-143. MCN TOW Missile Armament Subsystem (Sheet 15 of 28)

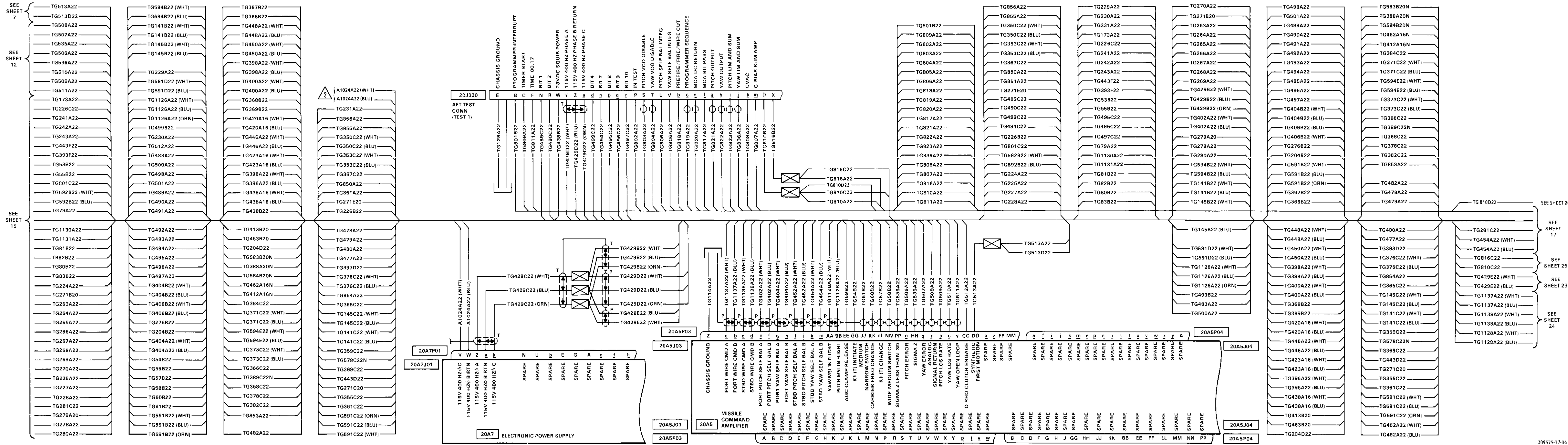


Figure FO-143. MCN TOW Missile Armament Subsystem (Sheet 16 of 28)

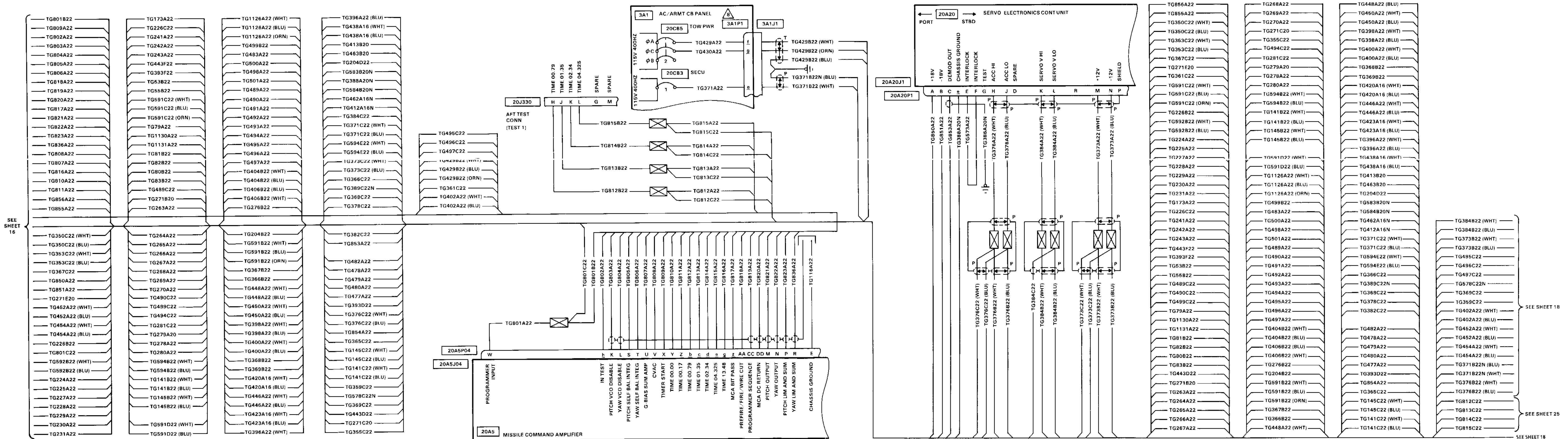


Figure FO-143. MCN TOW Missile Armament Subsystem (Sheet 17 of 28)

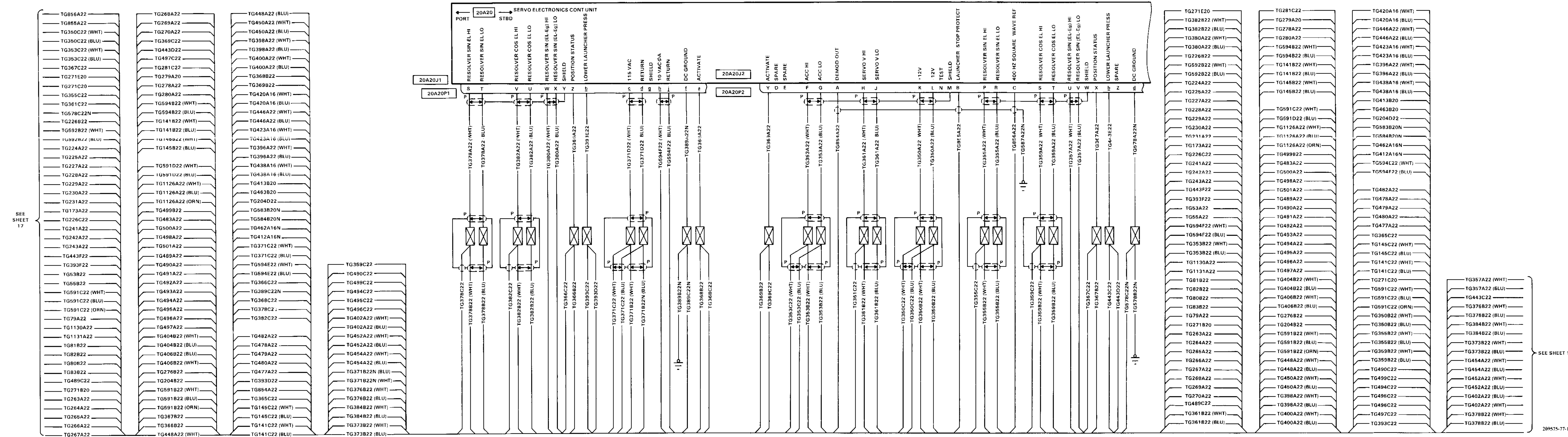


Figure FO-143. MCN TOW Missile Armament Subsystem (Sheet 18 of 28)

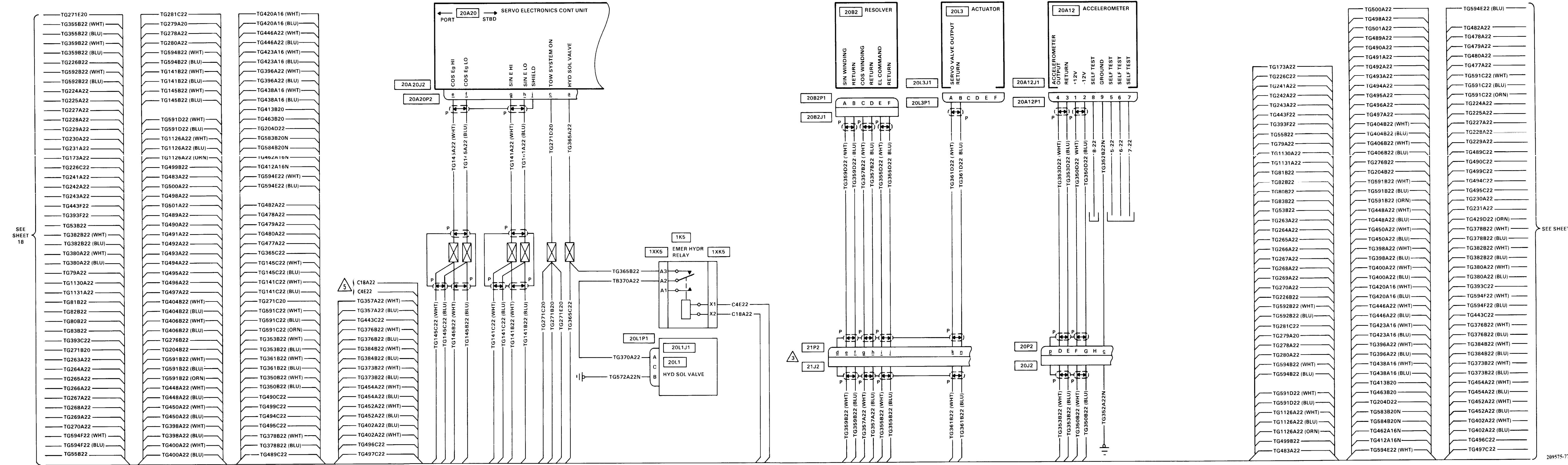
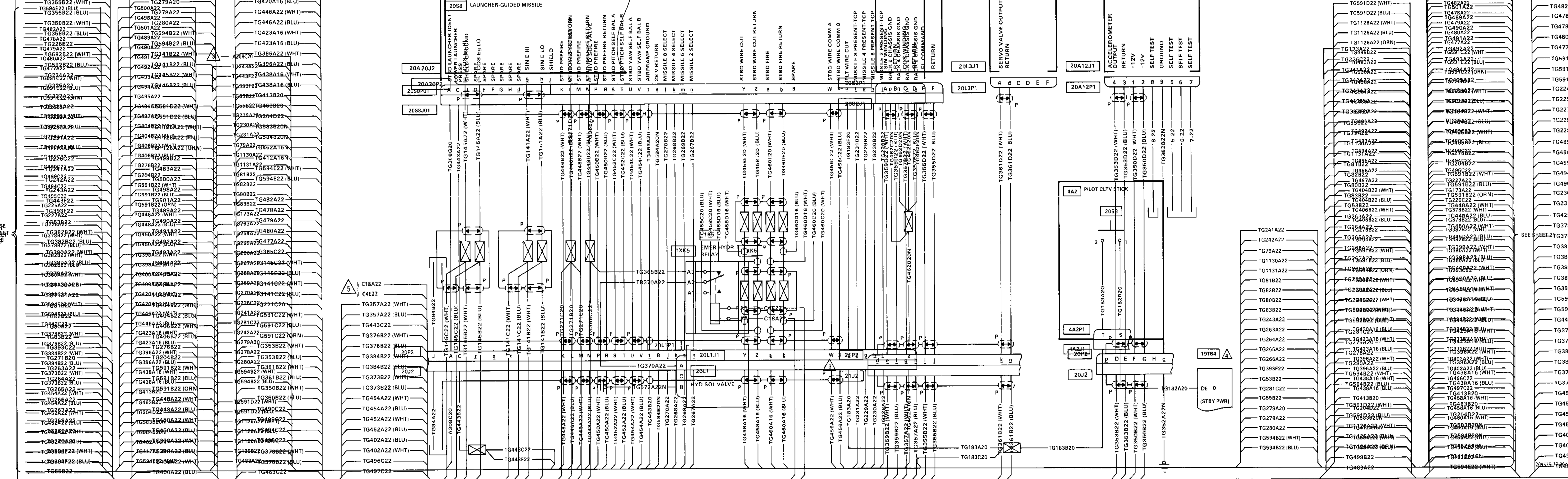


Figure FO-143. MCN TOW Missile Armament Subsystem (Sheet 19 of 28)



SEE SHEET 18

SEE SHEET 18

Figure FO-143. MCN TOW Missile Armament Subsystem (Sheet 20 of 28)

Figure FO-143. MCN TOW Missile Armament Subsystem (Sheet 1 of 1)

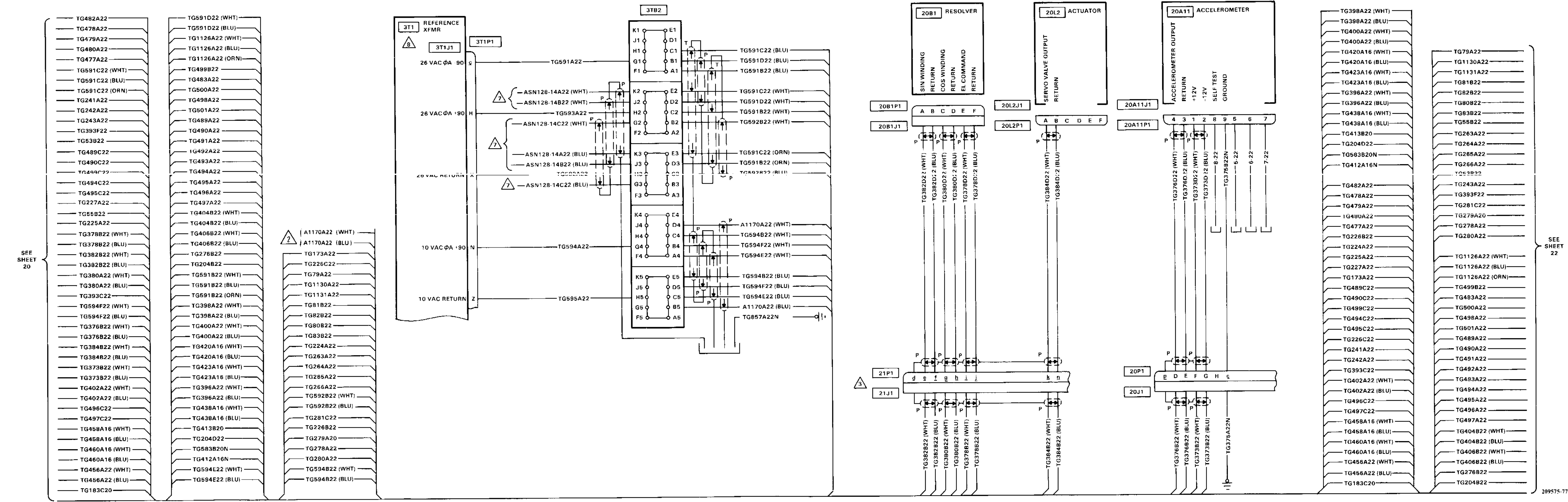


Figure FO-143. MCN TOW Missile Armament Subsystem (Sheet 21 of 28)

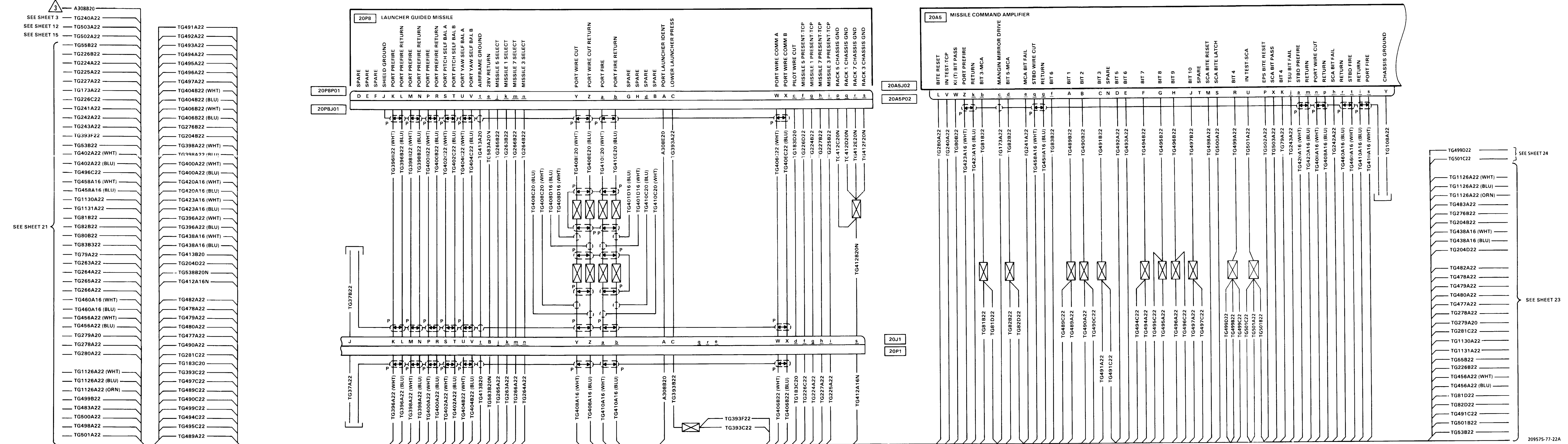


Figure FO-143. MCN TOW Missile Armament Subsystem (Sheet 22 of 28)

209575-77-22A

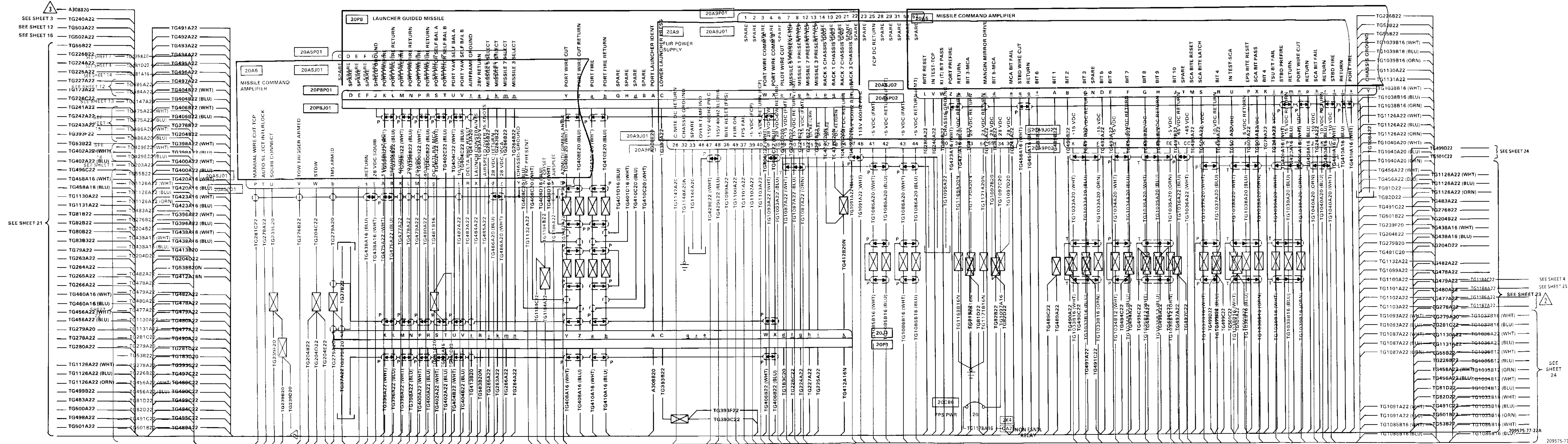


Figure FO-143. MCN TOW Missile Armament Subsystem (Sheet 22 of 28)
 Figure FO-143. MCN TOW Missile Armament Subsystem (Sheet 23 of 28)

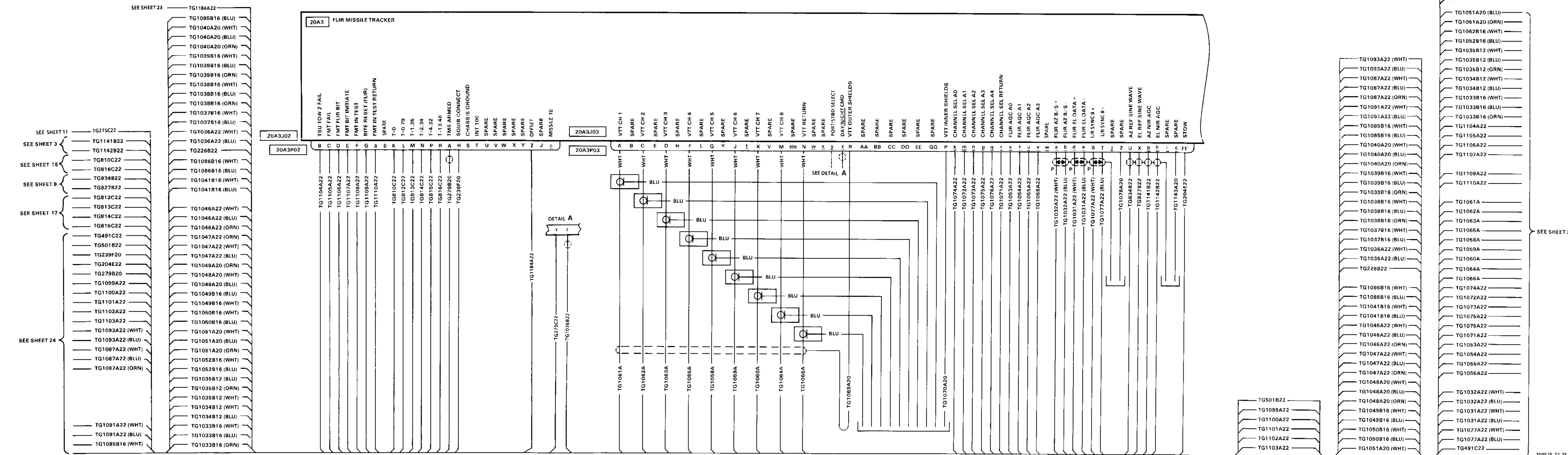


Figure FO-143. MCN TOW Missile Armament Subsystem (Sheet 25 of 28)

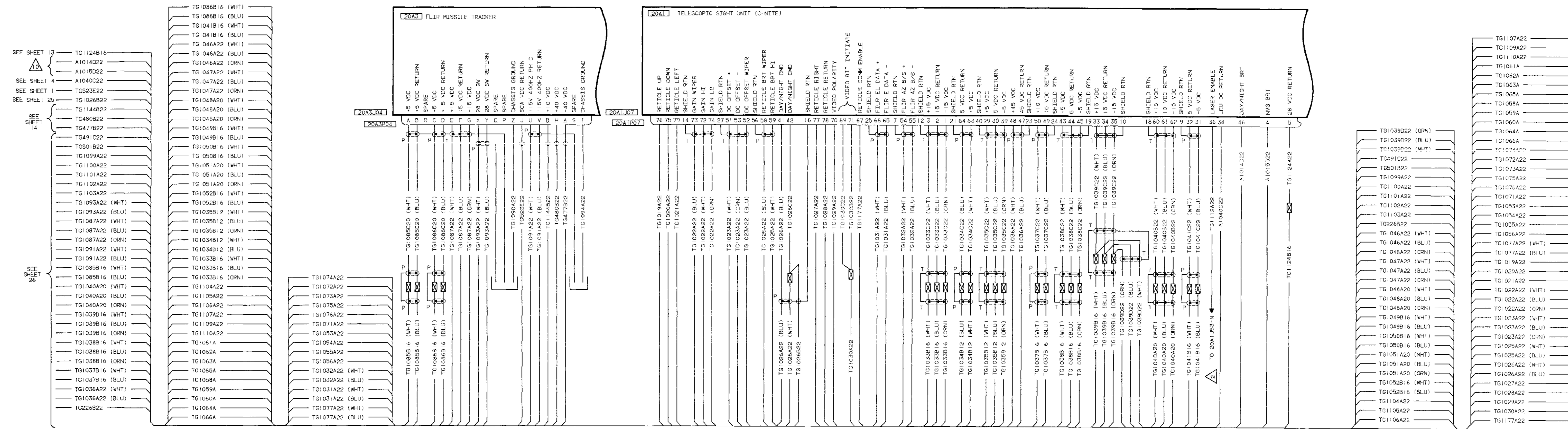


Figure FO-143. MCN TOW Missile Armament Subsystem (Sheet 26 of 28)

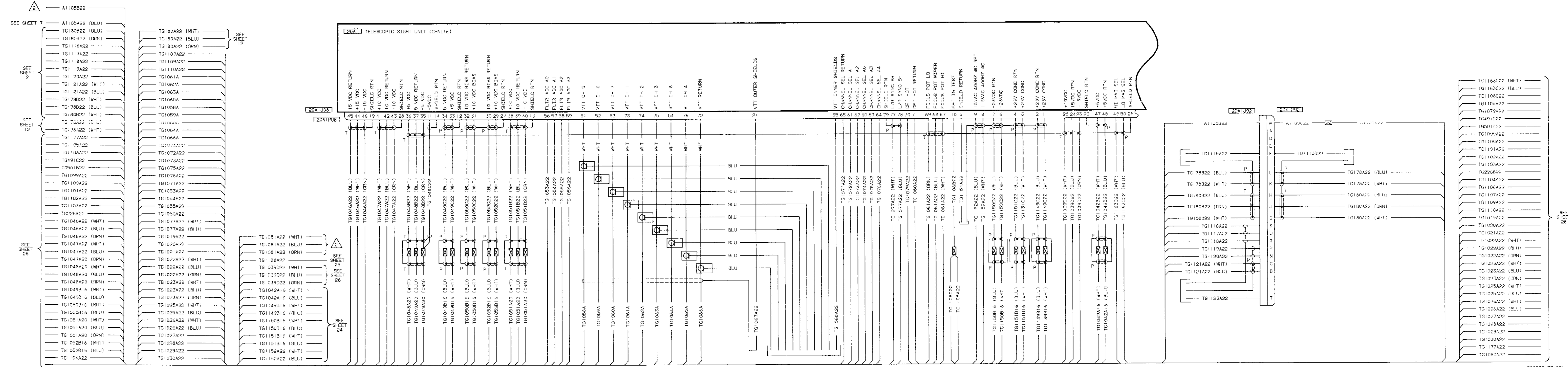


Figure FO-143. MCN TOW Missile Armament Subsystem (Sheet 27 of 28)

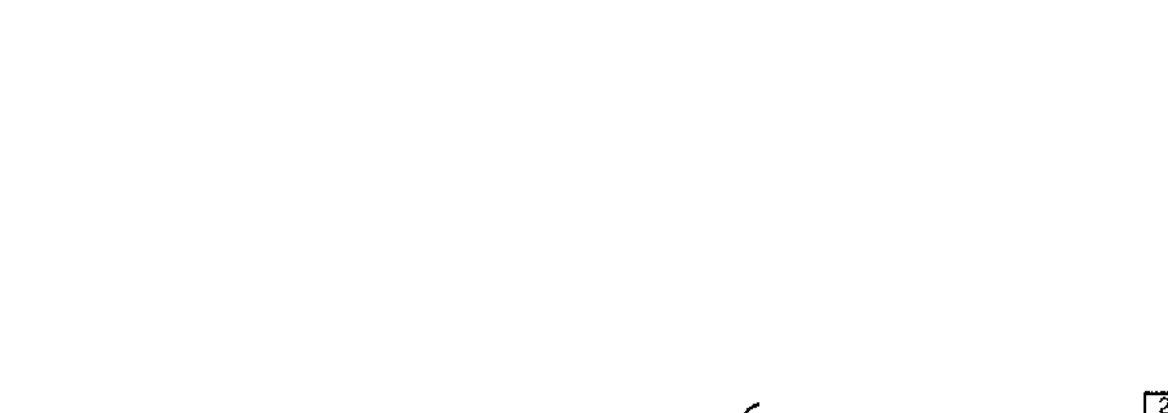
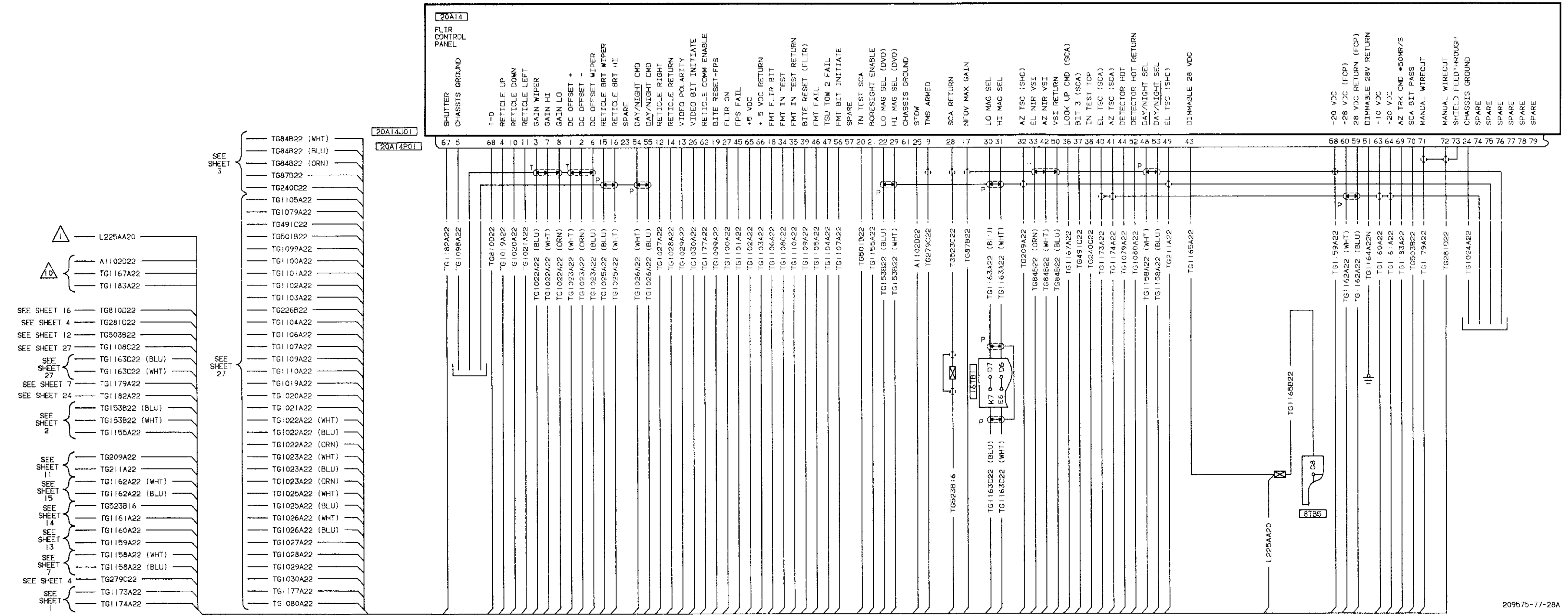
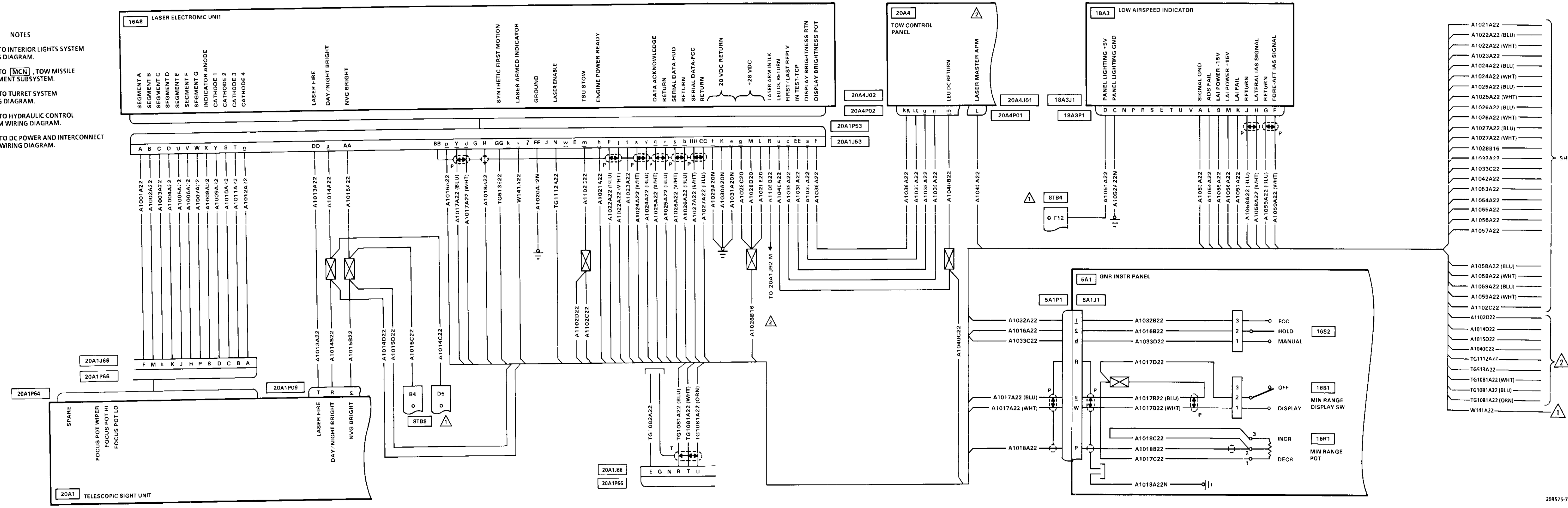


Figure FO-143. MCN TOW Missile Armament Subsystem (Sheet 28 of 28)

- NOTES
- 1 REFER TO INTERIOR LIGHTS SYSTEM WIRING DIAGRAM.
 - 2 REFER TO [MCN], TOW MISSILE ARMAMENT SUBSYSTEM.
 - 3 REFER TO TURRET SYSTEM WIRING DIAGRAM.
 - 4 REFER TO HYDRAULIC CONTROL SYSTEM WIRING DIAGRAM.
 - 5 REFER TO DC POWER AND INTERCONNECT LOGIC WIRING DIAGRAM.



SHEET 2

Figure FO-144. MCN Fire Control System (Sheet 1 of 6)

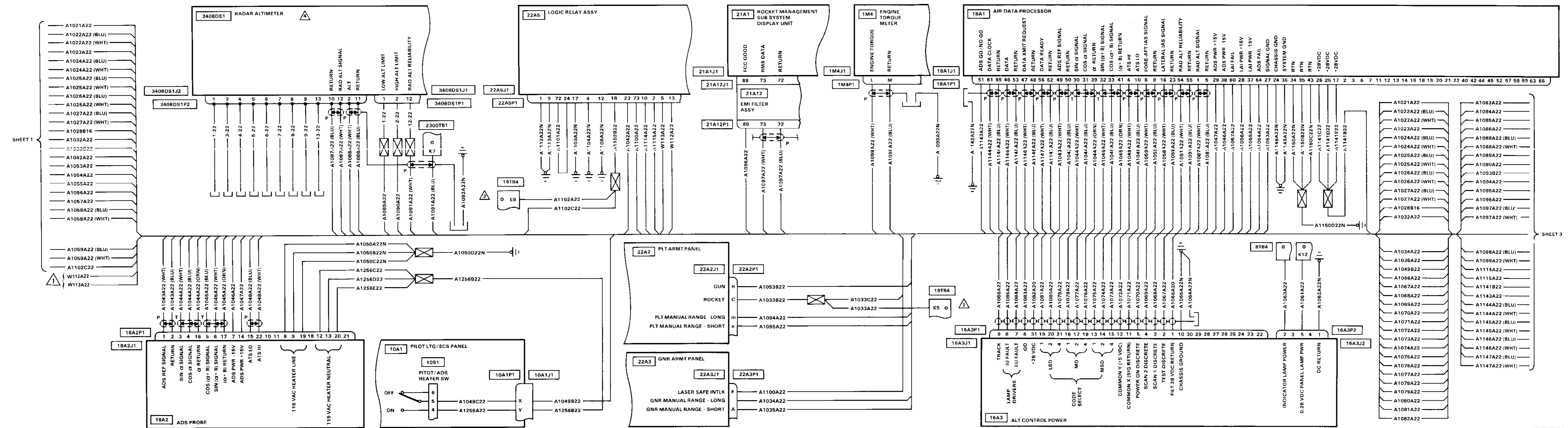
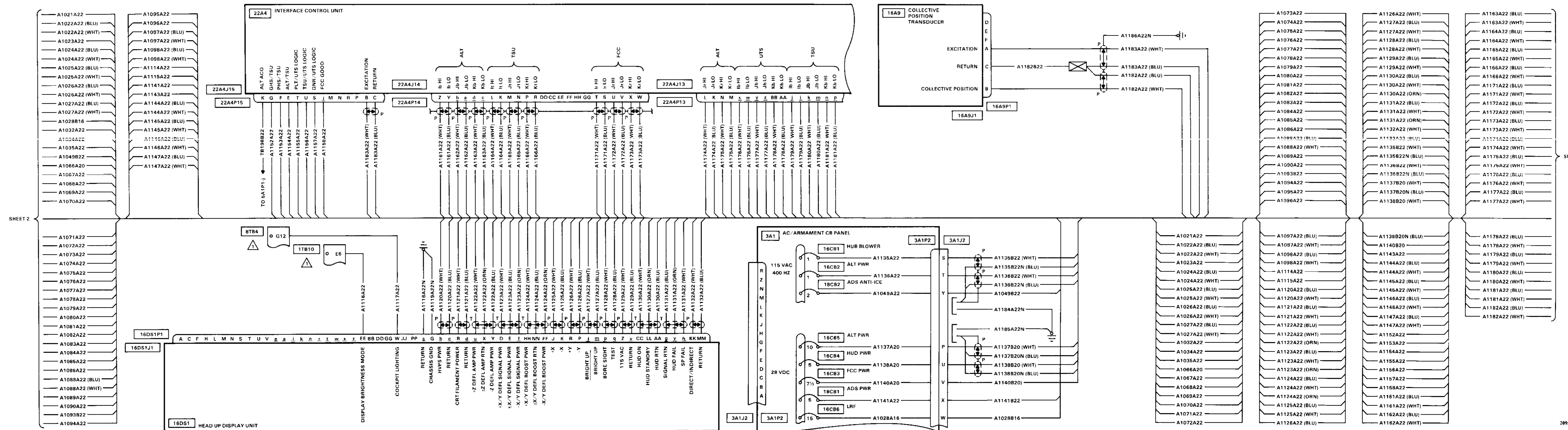


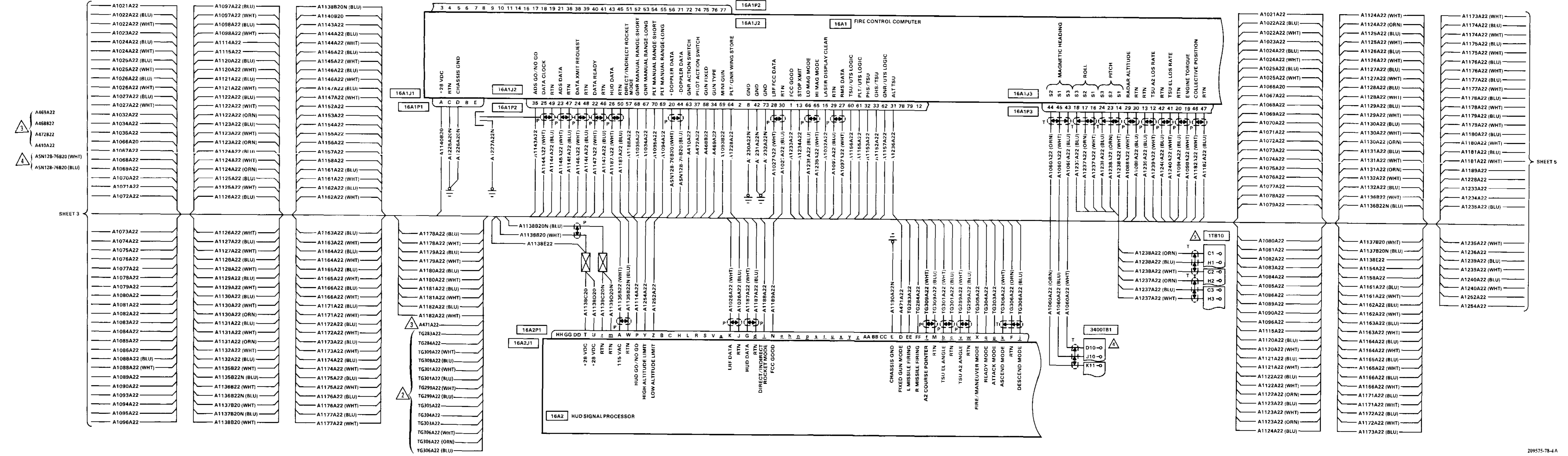
Figure FO-144. MCN Fire Control System (Sheet 2 of 6)



SHEET 2

SHEET 4

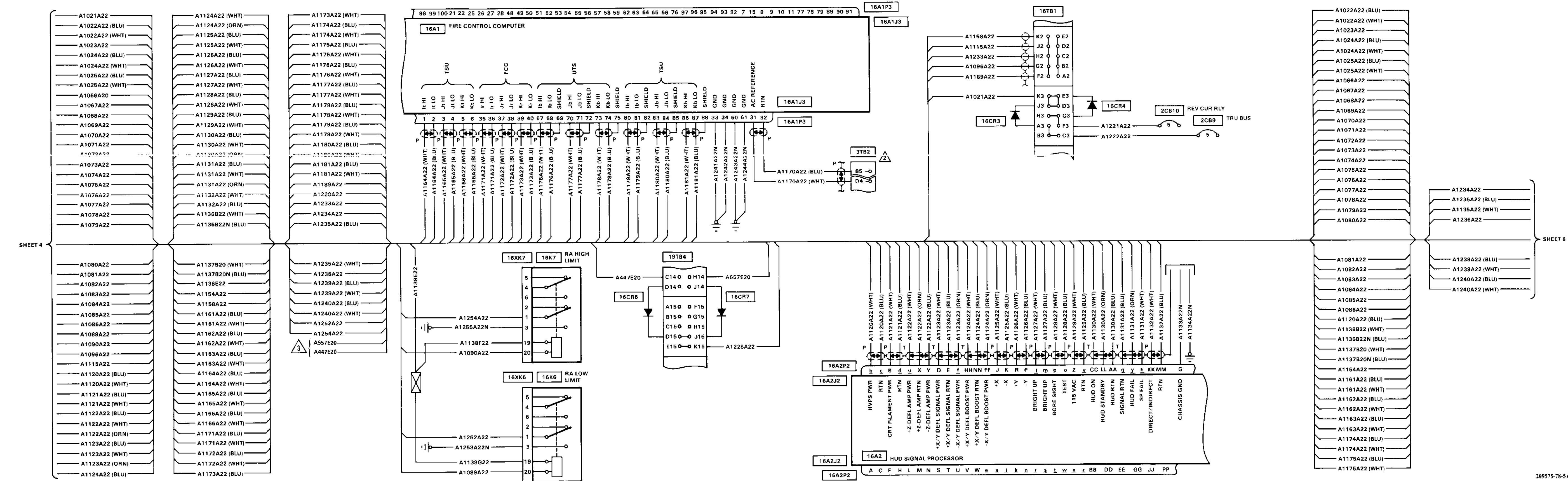
Figure FO-144. MCN Fire Control System (Sheet 3 of 6)



SHEET 3

SHEET 5

Figure FO-144. MCN Fire Control System (Sheet 4 of 6)



SHEET 4

SHEET 6

Figure FO-144. MCN Fire Control System (Sheet 5 of 6)

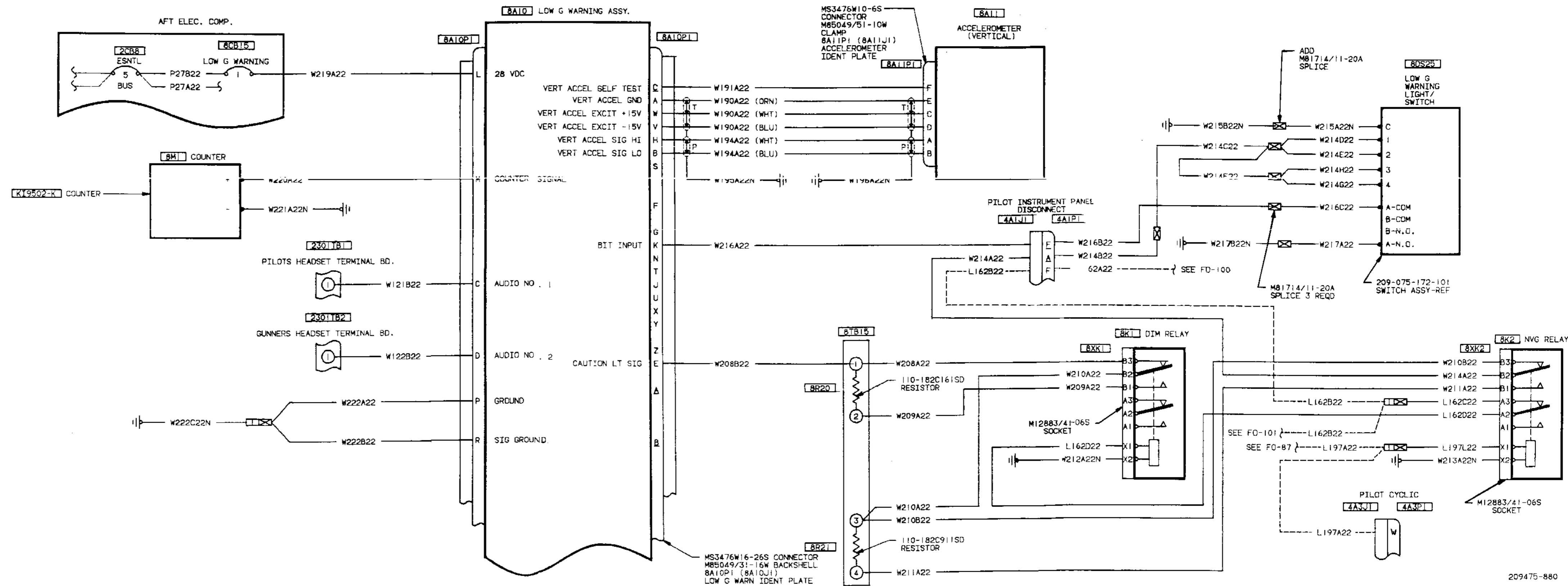


Figure FO-145. P E M Low G Warning System

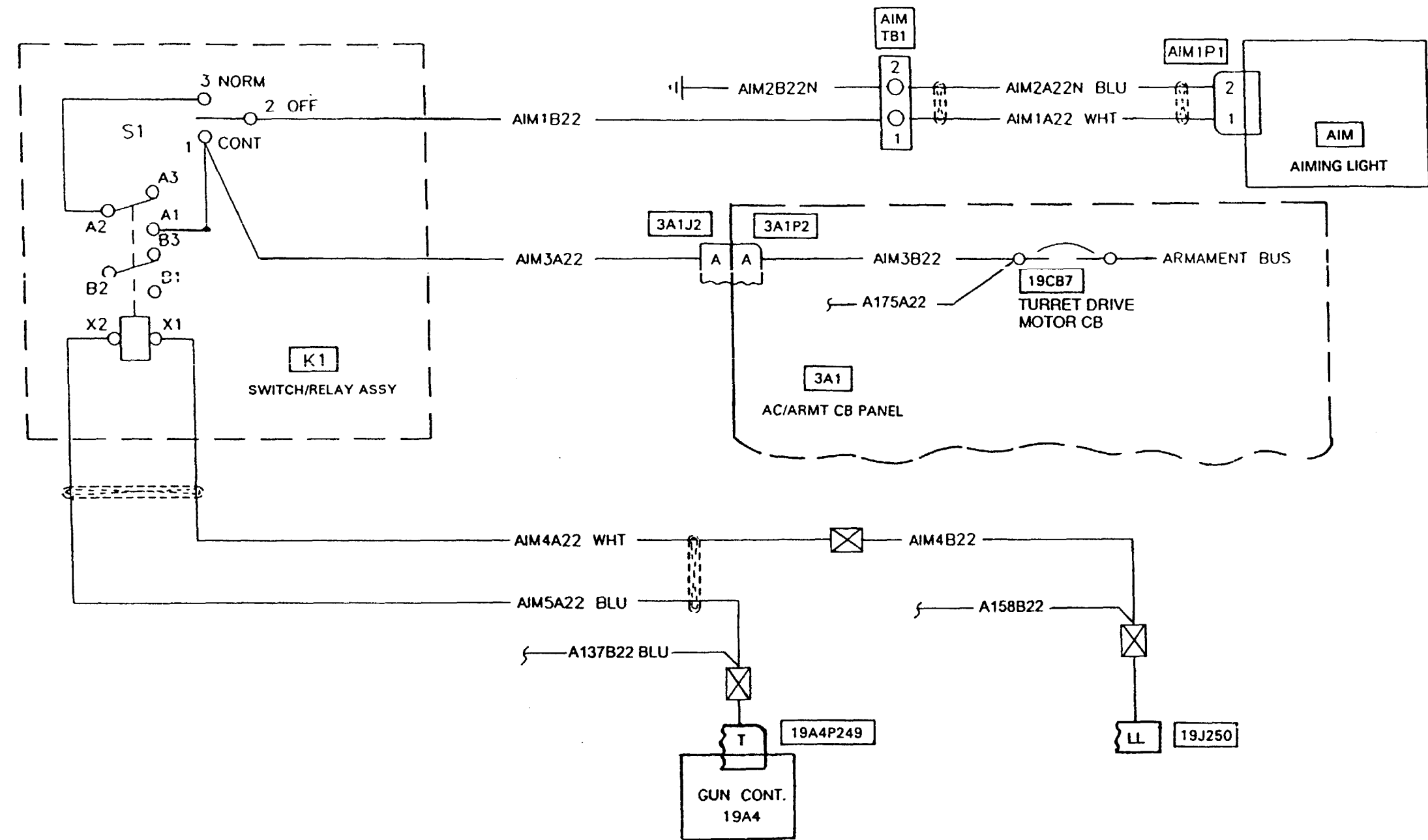


Figure FO-146. **M** AIM-1/EXL Laser Gunsight System

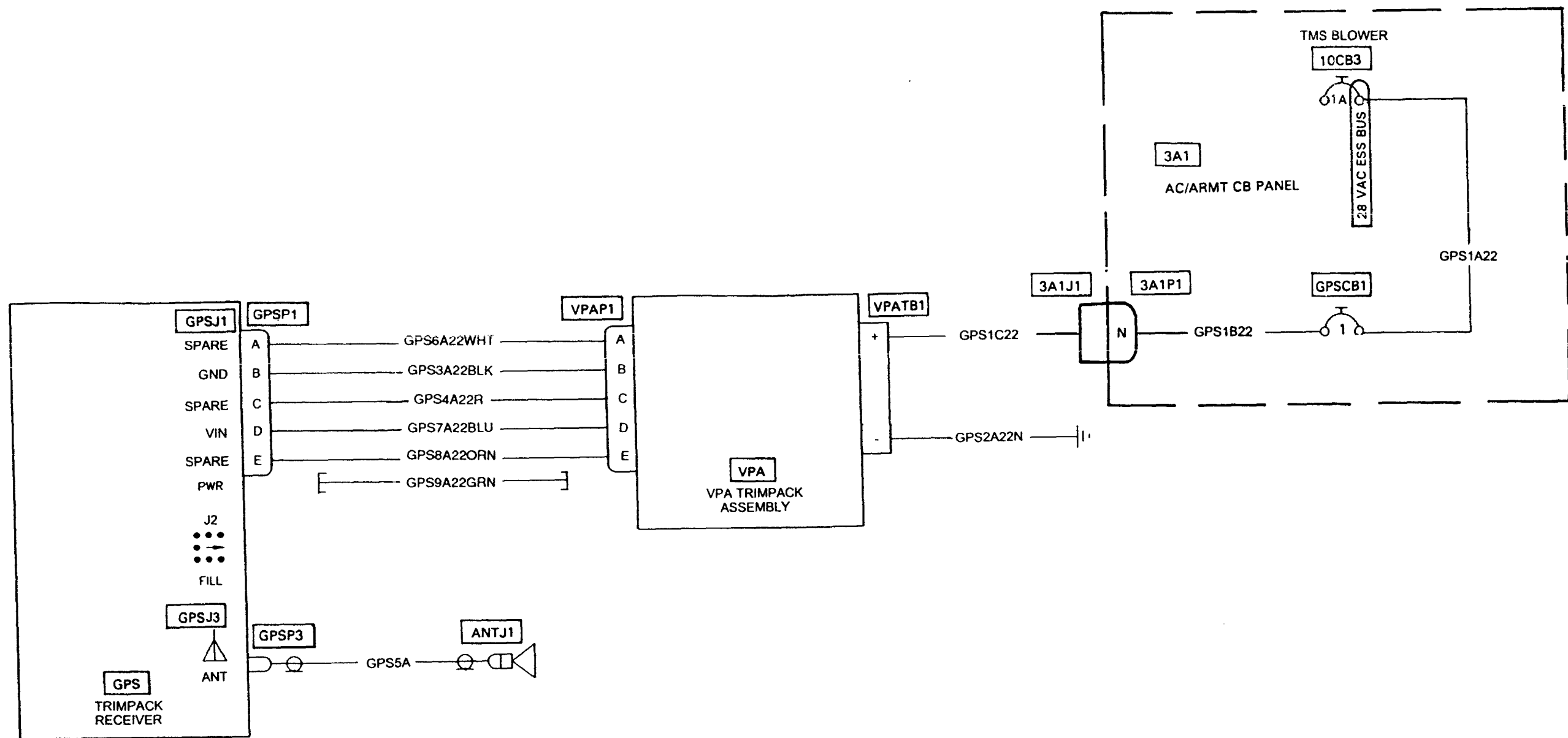


Figure FO-147. **M** GPS Trimpack System



THEN... JOT DOWN THE DOPE ABOUT IT ON THIS FORM, CAREFULLY TEAR IT OUT, FOLD IT AND DROP IT IN THE MAIL!

SOMETHING WRONG WITH THIS PUBLICATION?

FROM: (PRINT YOUR UNIT'S COMPLETE ADDRESS)

PFC JOHN DOE
COA, 3d ENGINEER BN
FT. LEONARDWOOD, MD 63108

DATE SENT

PUBLICATION NUMBER
TM 55-1520-236-23-5

PUBLICATION DATE
31 July 1990

PUBLICATION TITLE AVUM AND AVIM MAINT
MANUAL, ARMY MODEL AH-1P, AND
AH-1E/F HELICOPTERS

BE EXACT... PIN-POINT WHERE IT IS

PAGE NO.	PARA-GRAPH	FIGURE NO.	TABLE NO.
----------	------------	------------	-----------

6

2-1
a

B1

4-3

125 line 20

IN THIS SPACE TELL WHAT IS WRONG AND WHAT SHOULD BE DONE ABOUT IT:

In line 6 of paragraph 2-1a the manual states the engine has 6 Cylinders. The engine on my set only has 4 Cylinders. Change the manual to show 4 Cylinders.

Callout 16 on figure 4-3 is pointing at a bolt. In key to figure 4-3, item 16 is called a shim - Please correct one or the other.

I ordered a gasket, item 19 on figure B-16 by NSN 2 910-00-762-3001. I got a gasket but it doesn't fit. Supply says I got what I ordered, so the NSN is wrong. Please give me a good NSN

PRINTED NAME, GRADE OR TITLE, AND TELEPHONE NUMBER

JOHN DOE, PFC (268) 317-7111

SIGN HERE:

JOHN DOE

DA FORM 2028-2
1 JUL 79

PREVIOUS EDITIONS ARE OBSOLETE.
DRSTS-M Overprint 1, 1 Nov 80

P.S.--IF YOUR OUTFIT WANTS TO KNOW ABOUT YOUR RECOMMENDATION MAKE A CARBON COPY OF THIS AND GIVE IT TO YOUR HEADQUARTERS.

TEAR ALONG PERFORATED LINE

FILL IN YOUR
UNIT'S ADDRESS

FOLD BACK

DEPARTMENT OF THE ARMY

OFFICIAL BUSINESS

COMMANDER
U S ARMY AVIATION SYSTEMS COMMAND
ATTN: AMSAV MC
4300 GOODFELLOW BOULEVARD
ST. LOUIS, MO 63120-1798

RECOMMENDED CHANGES TO EQUIPMENT TECHNICAL PUBLICATIONS

SOMETHING WRONG WITH THIS PUBLICATION?



THEN... JOT DOWN THE DOPE ABOUT IT ON THIS FORM. CAREFULLY TEAR IT OUT. FOLD IT AND DROP IT IN THE MAIL!

FROM: (PRINT YOUR UNIT'S COMPLETE ADDRESS)

DATE SENT

PUBLICATION NUMBER
TM 55-1520-236-23-5

PUBLICATION DATE
31 July 1990

PUBLICATION TITLE AVUM AND AVIM MAINT
MANUAL, ARMY MODEL AH-1P, AND
AH-1E/F HELICOPTERS

BE EXACT. PIN-POINT WHERE IT IS

PAGE NO	PARA-GRAPH	FIGURE NO	TABLE NO

IN THIS SPACE TELL WHAT IS WRONG AND WHAT SHOULD BE DONE ABOUT IT:

PRINTED NAME GRADE OR TITLE AND TELEPHONE NUMBER

SIGN HERE

FILL IN YOUR
UNIT'S ADDRESS

FOLD BACK

DEPARTMENT OF THE ARMY

OFFICIAL BUSINESS

COMMANDER
U S ARMY AVIATION SYSTEMS COMMAND
ATTN: AMSAV-MC
4300 GOODFELLOW BOULEVARD
ST. LOUIS, MO 63120-1798

TEAR ALONG PERFORATED LINE

RECOMMENDED CHANGES TO EQUIPMENT TECHNICAL PUBLICATIONS



SOMETHING WRONG WITH THIS PUBLICATION?

THEN... JOT DOWN THE DOPE ABOUT IT ON THIS FORM. CAREFULLY TEAR IT OUT. FOLD IT AND DROP IT IN THE MAIL!

FROM: (PRINT YOUR UNIT'S COMPLETE ADDRESS)

DATE SENT

PUBLICATION NUMBER
TM 55-1520-236-23-5

PUBLICATION DATE
31 July 1990

PUBLICATION TITLE AVUM AND AVIM MAINT
MANUAL, ARMY MODEL AH-1P, AND
AH-1E/F HELICOPTERS

BE EXACT. PIN-POINT WHERE IT IS

PAGE NO	PARA-GRAPH	FIGURE NO	TABLE NO

IN THIS SPACE TELL WHAT IS WRONG AND WHAT SHOULD BE DONE ABOUT IT:

PRINTED NAME GRADE OR TITLE AND TELEPHONE NUMBER

SIGN HERE

FILL IN YOUR
UNIT'S ADDRESS



FOLD BACK


DEPARTMENT OF THE ARMY

OFFICIAL BUSINESS

COMMANDER
U S ARMY AVIATION SYSTEMS COMMAND
ATTN: AMSAV-J MC
4300 GOODFELLOW BOULEVARD
ST. LOUIS, MO 63120-1798

TEAR ALONG PERFORATED LINE

RECOMMENDED CHANGES TO EQUIPMENT TECHNICAL PUBLICATIONS



SOMETHING WRONG WITH THIS PUBLICATION?

THEN... JOT DOWN THE DOPE ABOUT IT ON THIS FORM. CAREFULLY TEAR IT OUT. FOLD IT AND DROP IT IN THE MAIL!

FROM: (PRINT YOUR UNIT'S COMPLETE ADDRESS)

DATE SENT

PUBLICATION NUMBER
TM 55-1520-236-23-5

PUBLICATION DATE
31 July 1990

PUBLICATION TITLE AVUM AND AVIM MAINT
MANUAL, ARMY MODEL AH-1P, AND
AH-1E/F HELICOPTERS

BE EXACT. PIN-POINT WHERE IT IS				IN THIS SPACE TELL WHAT IS WRONG AND WHAT SHOULD BE DONE ABOUT IT:
PAGE NO	PARA-GRAPH	FIGURE NO	TABLE NO	

PRINTED NAME GRADE OR TITLE AND TELEPHONE NUMBER

SIGN HERE

DA FORM 2028-2
1 JUL 79

PREVIOUS EDITIONS ARE OBSOLETE

P.S.--IF YOUR OUTFIT WANTS TO KNOW ABOUT YOUR RECOMMENDATION MAKE A CARBON COPY OF THIS AND GIVE IT TO YOUR HEADQUARTERS

FILL IN YOUR
UNIT'S ADDRESS

FOLD BACK

DEPARTMENT OF THE ARMY

OFFICIAL BUSINESS

COMMANDER
U S ARMY AVIATION SYSTEMS COMMAND
ATTN: AMSAV-MC
4300 GOODFELLOW BOULEVARD
ST. LOUIS, MO 63120-1798

TEAR ALONG PERFORATED LINE

The Metric System and Equivalents

Linear Measure

1 centimeter = 10 millimeters = .39 inch
 1 decimeter = 10 centimeters = 3.94 inches
 1 meter = 10 decimeters = 39.37 inches
 1 dekameter = 10 meters = 32.6 feet
 1 hectometer = 10 dekameters = 328.08 feet
 1 kilometer = 10 hectometers = 3,280.8 feet

Weights

1 centigram = 10 milligrams = .15 grain
 1 decigram = 10 centigrams = 1.54 grains
 1 gram = 10 decigrams = .035 ounce
 1 dekagram = 10 grams = .35 ounce
 1 hectogram = 10 dekagrams = 3.52 ounces
 1 kilogram = 10 hectograms = 2.2 pounds
 1 quintal = 100 kilograms = 220.46 pounds
 1 metric ton = 10 quintals = 1.1 short tons

Liquid Measure

1 centiliter = 10 milliliters = .34 fl. ounce
 1 deciliter = 10 centiliters = 3.38 fl. ounces
 1 liter = 10 deciliters = 33.81 fl. ounces
 1 dekaliter = 10 liters = 2.64 gallons
 1 hectoliter = 10 dekaliters = 26.42 gallons
 1 kiloliter = 10 hectoliters = 264.18 gallons

Square Measure

1 sq. centimeter = 100 sq. millimeters = .155 sq. inch
 1 sq. decimeter = 100 sq. centimeters = 15.5 sq. inches
 1 sq. meter (centare) = 100 sq. decimeters = 1076 sq. feet
 1 sq. dekameter (are) = 100 sq. meters = 1,076.4 sq. feet
 1 sq. hectometer (hectare) = 100 sq. dekameters = 2.47 acres
 1 sq. kilometer = 100 sq. hectometers = .386 sq. mile -

Cubic Measure

1 cu. centimeter = 1000 cu. millimeters = .06 cu. inch
 1 cu. decimeter = 1000 cu. centimeters = 61.02 cu. inches
 1 cu. meter = 1000 cu. decimeters = 35.31 cu. feet

Approximate Conversion Factors

<i>To change</i>	<i>To</i>	<i>Multiply by</i>	<i>To change</i>	<i>To</i>	<i>Multiply by</i>
inches	centimeters	2.540	ounce-inches	newton-meters	.007062
feet	meters	.305	centimeters	inches	.394
yards	meters	.914	meters	feet	3.280
miles	kilometers	1.609	meters	yards	1.094
square inches	square centimeters	6.451	kilometers	miles	.621
square feet	square meters	.093	square centimeters	square inches	.155
square yards	square meters	.836	square meters	square feet	10.764
square miles	square kilometers	2.590	square meters	square yards	1.196
acres	square hectometers	.405	square kilometers	square miles	.386
cubic feet	cubic meters	.028	square hectometers	acres	2.471
cubic yards	cubic meters	.765	cubic meters	cubic feet	35.315
fluid ounces	milliliters	29.573	cubic meters	cubic yards	1.308
pints	liters	.473	milliliters	fluid ounces	.034
quarts	liters	.946	liters	pints	2.113
gallons	liters	3.785	liters	quarts	1.057
ounces	grams	28.349	liters	gallons	.264
pounds	kilograms	.454	grams	ounces	.035
short tons	metric tons	.907	kilograms	pounds	2.205
pound-feet	newton-meters	1.356	metric tons	short tons	1.102
pound-inches	newton-meters	.11296			

Temperature (Exact)

°F Fahrenheit temperature 5/9 (after subtracting 32) Celsius temperature °C

